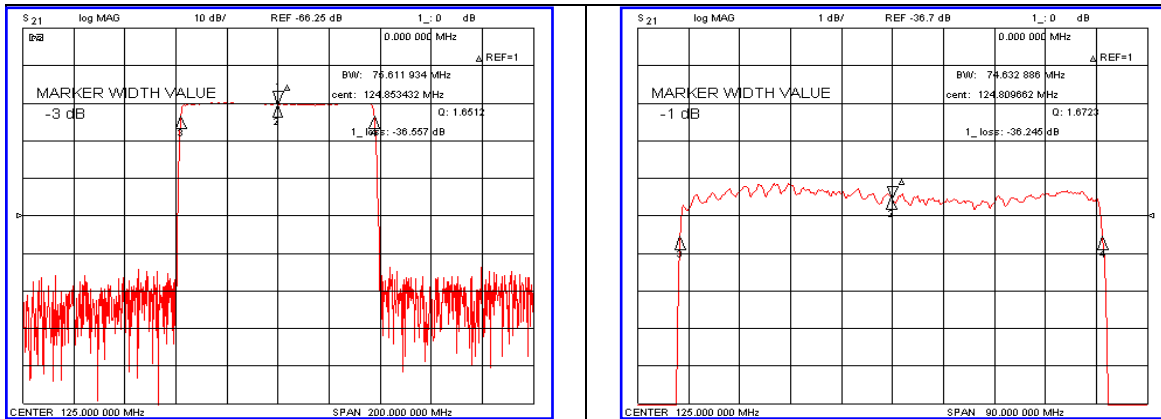


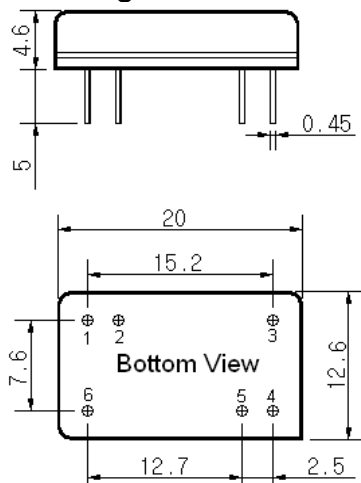
### Typical Performance



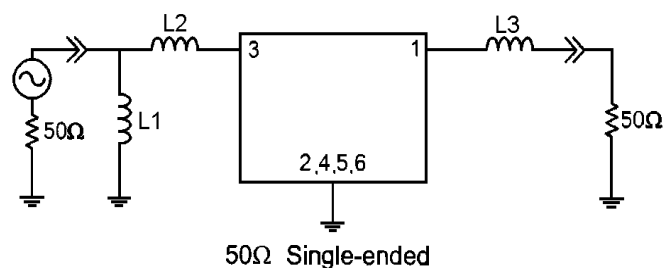
### Specification

Parameter	Unit	Min.	Typ.	Max.
Center Frequency	MHz	-	125.00	-
Insertion Loss	dB	-	36.53	38.00
1dB Bandwidth	MHz	73.50	74.63	-
3dB Bandwidth	MHz	-	75.61	-
40dB Bandwidth	MHz	-	79.20	80.20
Passband Ripple	dB	-	0.72	1.20
Group Delay Variation	nsec	-	10	50
Absolute Delay	μsec	-	1.14	-
Ultimate Attenuation	dB	35	40	-
Substrate Material	-	128- LiNbO <sub>3</sub>		
Temperature Coefficient	ppm/°C	-72		

### Package Dimension



### Matching Configuration



L1=180nH, L2=15nH, L3=180nH  
 Source / Load Impedance = 50Ω  
 Ambient Temperature = 25°C

Rev0. 091013

