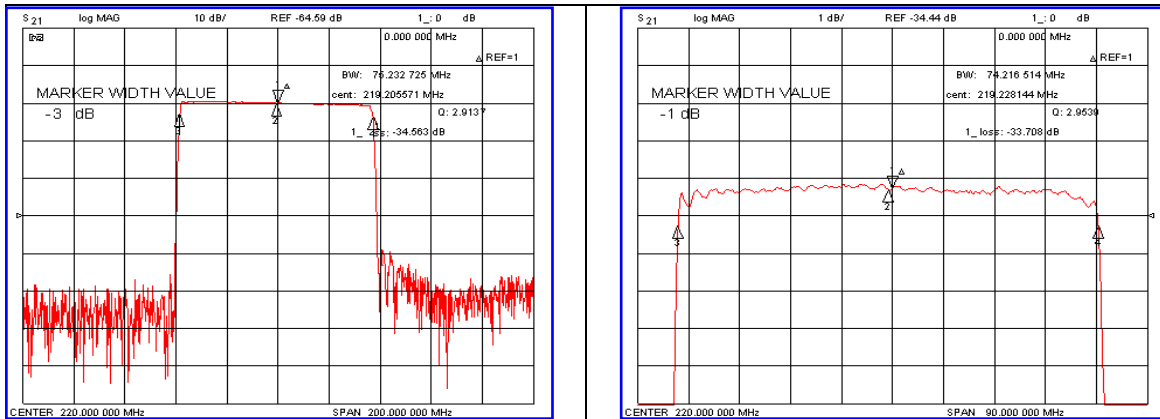


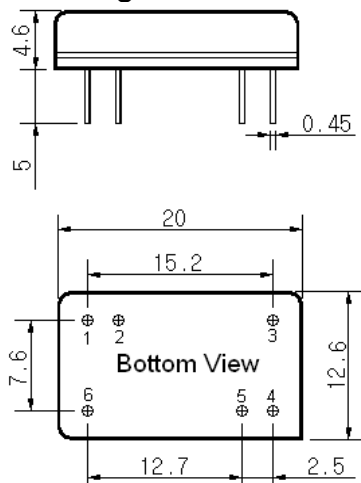
### Typical Performance



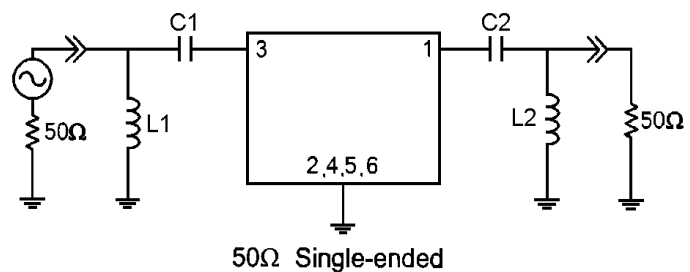
### Specification

| Parameter               | Unit   | Min.                    | Typ.   | Max.  |
|-------------------------|--------|-------------------------|--------|-------|
| Center Frequency        | MHz    | -                       | 220.00 | -     |
| Insertion Loss          | dB     | -                       | 34.56  | 36.00 |
| 1dB Bandwidth           | MHz    | 73.20                   | 74.21  | -     |
| 3dB Bandwidth           | MHz    | -                       | 75.23  | -     |
| 40dB Bandwidth          | MHz    | -                       | 79.28  | 81.00 |
| Passband Ripple         | dB     | -                       | 0.62   | 1.20  |
| Group Delay Variation   | nsec   | -                       | 10     | 50    |
| Absolute Delay          | μsec   | -                       | 1.01   | -     |
| Ultimate Attenuation    | dB     | 35                      | 40     | -     |
| Substrate Material      | -      | 128- LiNbO <sub>3</sub> |        |       |
| Temperature Coefficient | ppm/°C | -72                     |        |       |

### Package Dimension



### Matching Configuration



L1=47nH, L2=56nH, C1=24pF, C2=30pF  
 Source / Load Impedance = 50Ω  
 Ambient Temperature = 25°C

Rev0. 091013

