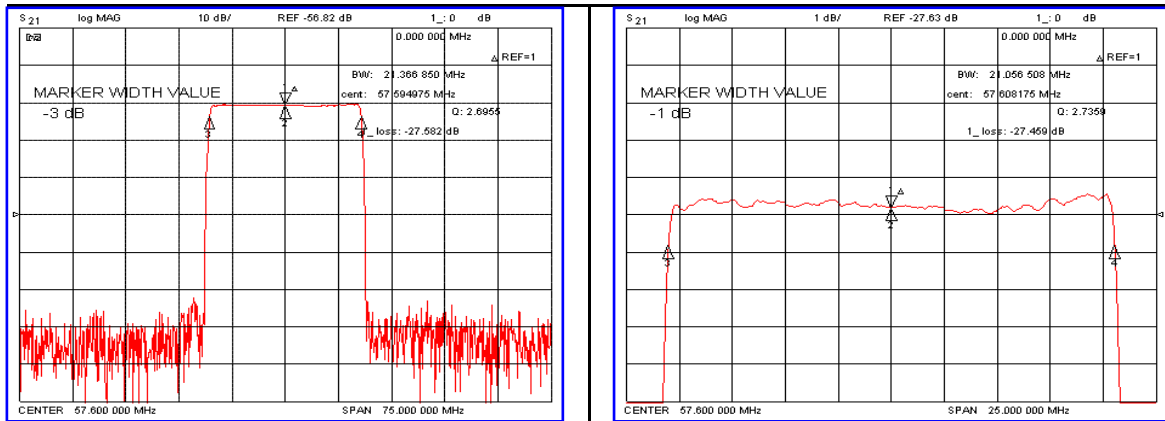


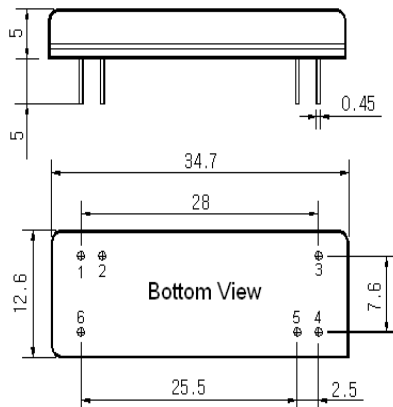
Typical Performance



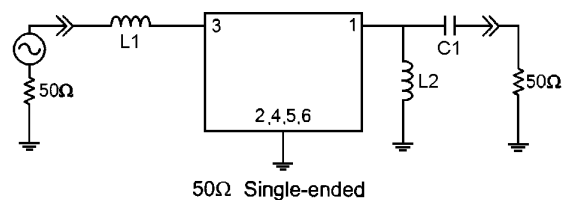
Specification

Parameter	Unit	Min.	Typ.	Max.
Center Frequency	MHz	57.50	57.60	57.70
Insertion Loss	dB	-	27.50	29.00
1dB Bandwidth	MHz	-	21.04	-
3dB Bandwidth	MHz	21.00	21.36	-
40dB Bandwidth	MHz	-	22.70	23.00
Passband Ripple	dB	-	0.55	1.00
Group Delay Variation	nsec	-	30	50
Absolute Delay	μsec	-	2.52	-
Ultimate Attenuation	dB	50	55	-
Substrate Material	-	128-LiNbO ₃		
Temperature Coefficient	ppm/°C	-72		

Package Dimension



Matching Configuration



L1= L2= 180nH, C1=36pF
 Source / Load Impedance = 50Ω
 Ambient Temperature = 25°C

Rev 0. 070112

