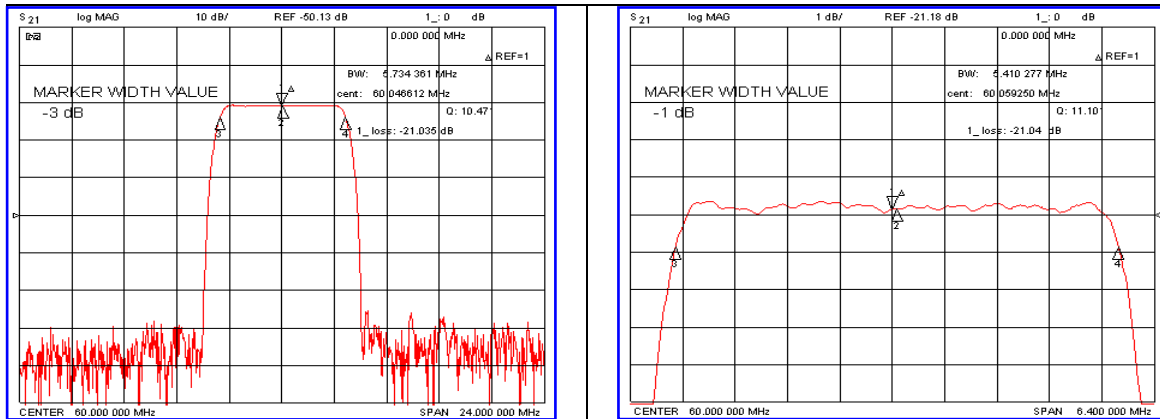


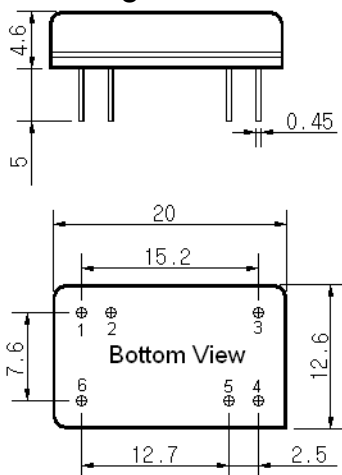
## Typical Performance



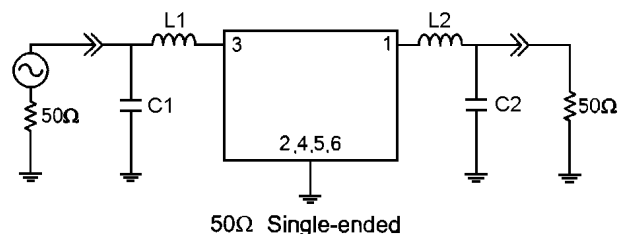
## Specification

Parameter	Unit	Min.	Typ.	Max.
Center Frequency	MHz	59.92	60.04	60.08
Insertion Loss	dB	-	21.10	24.00
1dB Bandwidth	MHz	-	5.41	-
3dB Bandwidth	MHz	5.60	5.73	-
40dB Bandwidth	MHz	-	7.06	7.15
Passband Ripple	dB	-	0.40	1.00
Group Delay Variation	nsec	-	70	120
Absolute Delay	μsec	-	2.27	-
Ultimate Attenuation	dB	50	54	-
Substrate Material	-	128-LiNbO <sub>3</sub>		
Temperature Coefficient	ppm/°C	-72		

## Package Dimension



## Matching Configuration



L1=39nH, L2=39nH, C1=C2=30pF  
 Source / Load Impedance = 50Ω  
 Ambient Temperature = 25°C

Rev0. 071207

