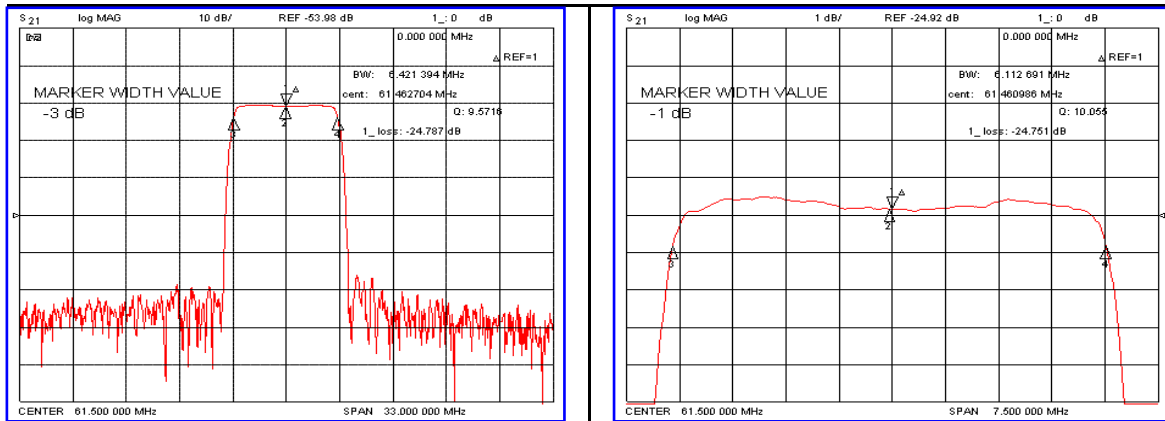


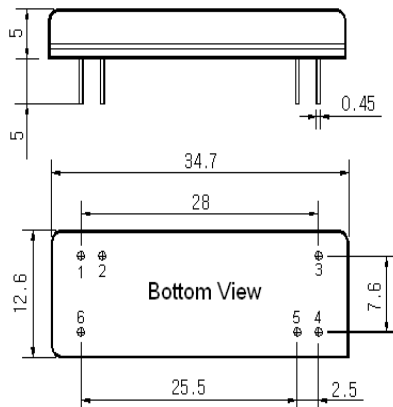
Typical Performance



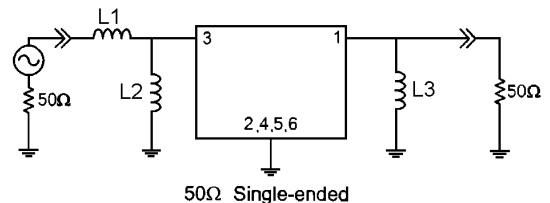
Specification

Parameter	Unit	Min.	Typ.	Max.
Center Frequency	MHz	61.42	61.50	61.58
Insertion Loss	dB	-	25.00	26.50
1dB Bandwidth	MHz	-	6.11	-
3dB Bandwidth	MHz	6.20	6.42	-
40dB Bandwidth	MHz	-	7.66	7.90
Passband Ripple	dB	-	0.65	1.00
Group Delay Variation	nsec	-	60	120
Absolute Delay	μsec	-	1.99	-
Ultimate Attenuation	dB	40	46	
Substrate Material	-	112-LiTaO ₃		
Temperature Coefficient	ppm/°C	-20		

Package Dimension



Matching Configuration



L1=82nH, L2=270nH, L3=120nH
 Source / Load Impedance = 50Ω
 Ambient Temperature = 25°C

