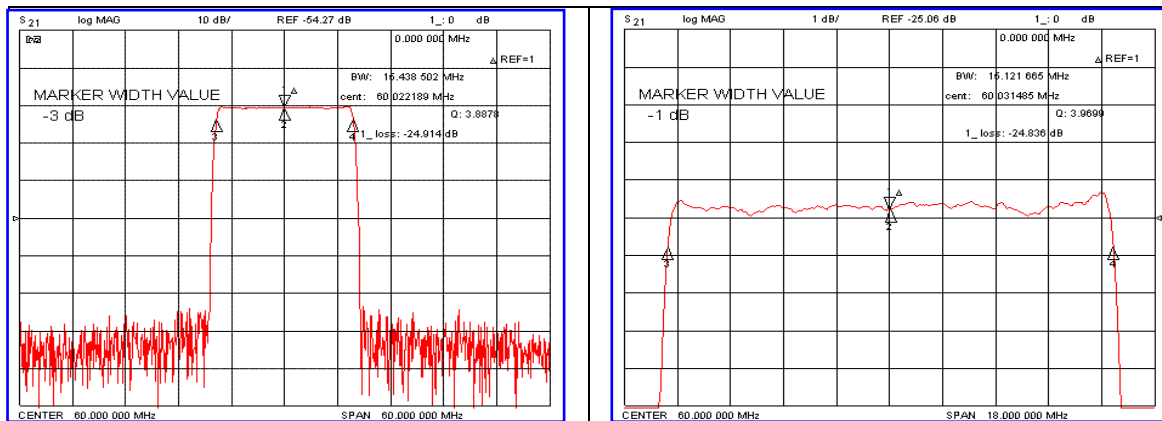


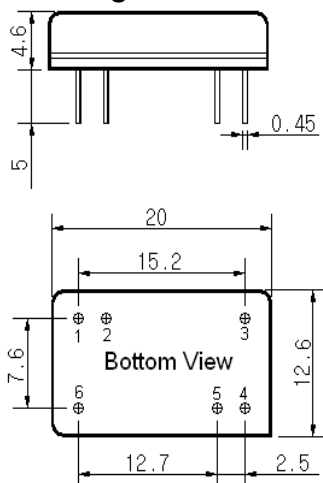
### Typical Performance



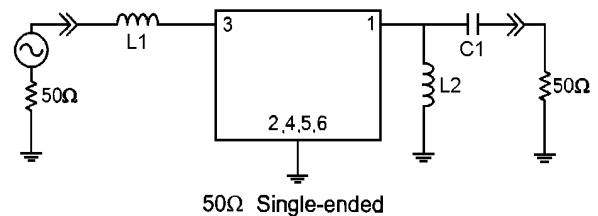
### Specification

Parameter	Unit	Min.	Typ.	Max.
Center Frequency	MHz	59.92	60.00	60.08
Insertion Loss	dB	-	25.00	26.50
1dB Bandwidth	MHz	-	15.12	-
3dB Bandwidth	MHz	15.30	15.43	-
40dB Bandwidth	MHz	-	16.82	16.95
Passband Ripple	dB	-	0.65	1.00
Group Delay Variation	nsec	-	30	50
Absolute Delay	μsec	-	2.30	-
Ultimate Attenuation	dB	50	53	-
Substrate Material	-	128-LiNbO <sub>3</sub>		
Temperature Coefficient	ppm/°C	-72		

### Package Dimension



### Matching Configuration



L1=180nH, L2=180nH, C1=75pF  
 Source / Load Impedance = 50Ω  
 Ambient Temperature = 25°C

Rev0. 071017

