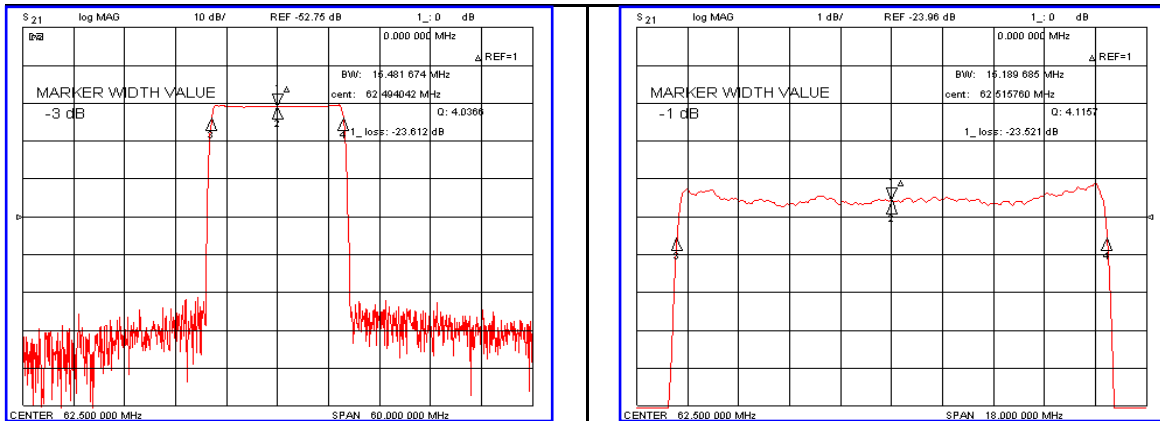


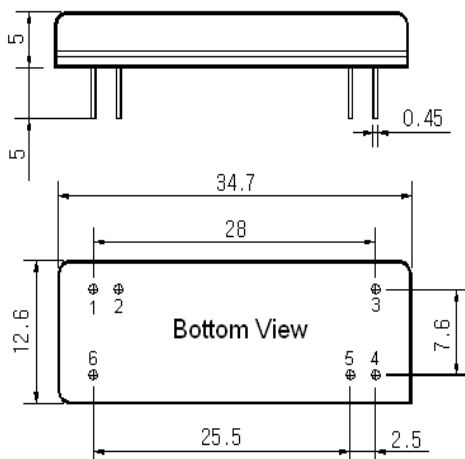
### Typical Performance



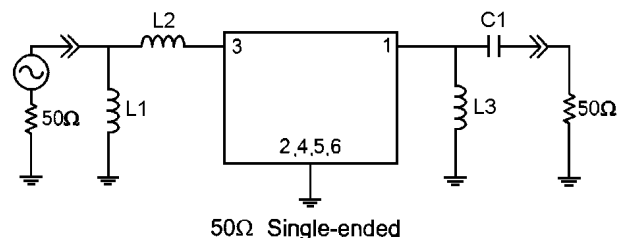
### Specification

Parameter	Unit	Min.	Typ.	Max.
Center Frequency	MHz	62.42	62.50	62.58
Insertion Loss	dB	-	23.70	25.50
1dB Bandwidth	MHz	15.10	15.18	-
3dB Bandwidth	MHz	-	15.48	-
40dB Bandwidth	MHz	-	16.78	17.00
Passband Ripple	dB	-	0.65	1.00
Group Delay Variation	nsec	-	50	100
Absolute Delay	μsec	-	2.30	2.50
Ultimate Attenuation	dB	50	52	-
Substrate Material	-	128-LiNbO <sub>3</sub>		
Temperature Coefficient	ppm/°C	-72		

### Package Dimension



### Matching Configuration



L1=470nH, L2=180nH, L3=150nH, C1=56pF  
 Source / Load Impedance = 50Ω  
 Ambient Temperature = 25°C

Rev0. 090216

