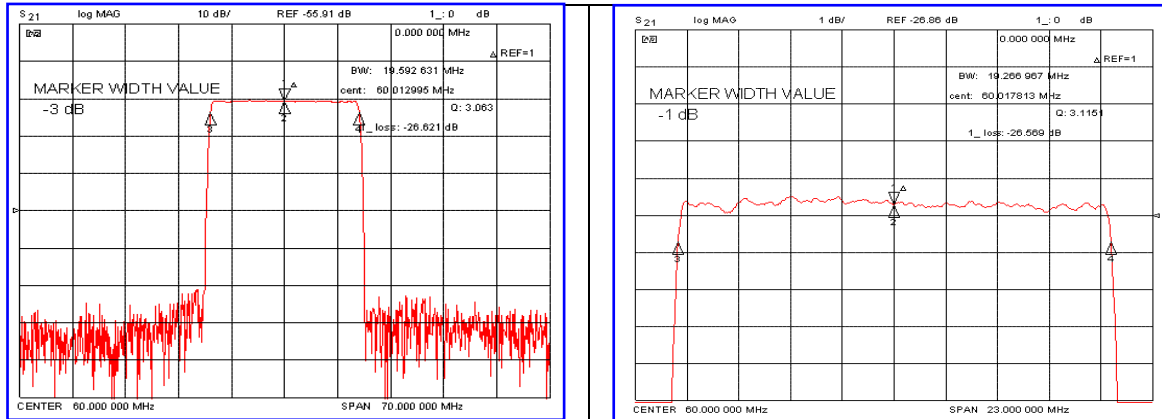


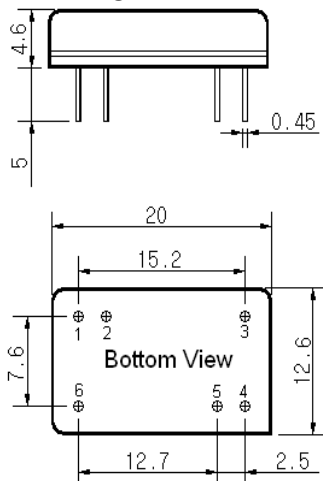
Typical Performance



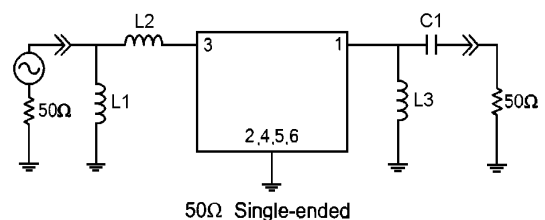
Specification

Parameter	Unit	Min.	Typ.	Max.
Center Frequency	MHz	59.92	60.00	60.08
Insertion Loss	dB	-	26.60	28.00
1dB Bandwidth	MHz	-	19.26	-
3dB Bandwidth	MHz	19.40	19.59	-
40dB Bandwidth	MHz	-	20.94	21.10
Passband Ripple	dB	-	0.50	1.00
Group Delay Variation	nsec	-	30	50
Absolute Delay	µsec	-	2.25	-
Ultimate Attenuation	dB	50	55	-
Substrate Material	-	128-LiNbO ₃		
Temperature Coefficient	ppm/°C ²	-72		

Package Dimension



Matching Configuration



L1=270nH, L2=150nH, L3=180nH, C1=43pF
 Source / Load Impedance = 50Ω
 Ambient Temperature = 25°C

Rev. 0 / 060530

