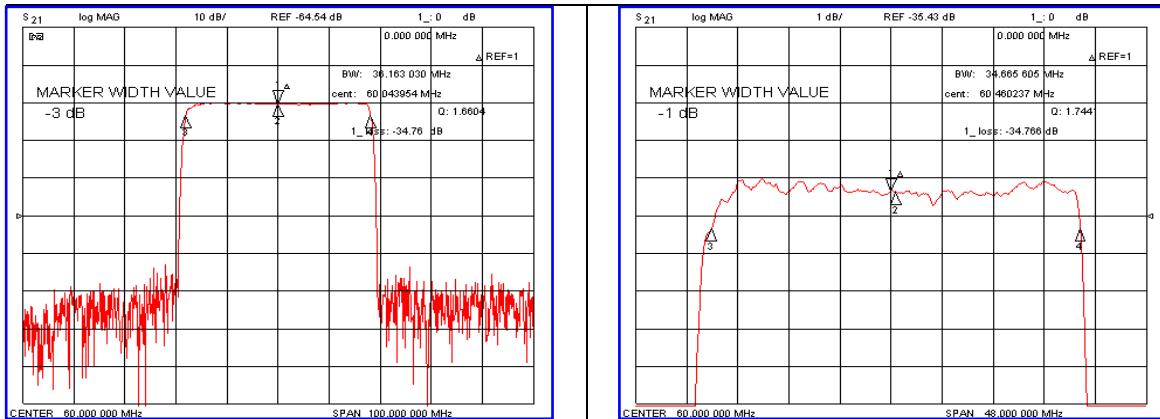


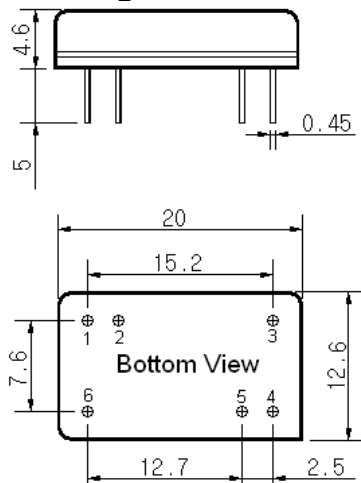
Typical Performance



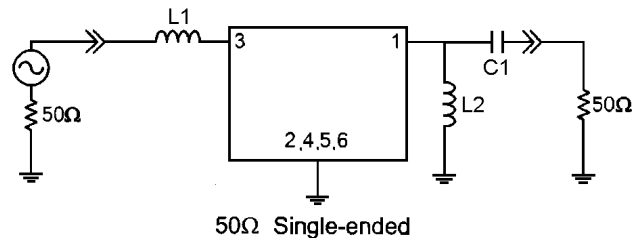
Specification

Parameter	Unit	Min.	Typ.	Max.
Center Frequency	MHz	59.92	60.00	60.08
Insertion Loss	dB	-	34.76	36.00
1dB Bandwidth	MHz	34.50	34.66	-
3dB Bandwidth	MHz	-	36.16	-
50dB Bandwidth	MHz	-	39.11	39.50
Passband Ripple	dB	-	0.68	1.00
Group Delay Variation	nsec	-	30	50
Absolute Delay	μsec	-	1.55	-
Ultimate Attenuation	dB	-	45	-
Substrate Material	-	128- LiNbO ₃		
Temperature Coefficient	ppm/°C	-72		

Package Dimension



Matching Configuration



L1=270nH, L2=220nH, C1=36pF
 Source / Load Impedance = 50Ω
 Ambient Temperature = 25°C

Rev0. 090203

