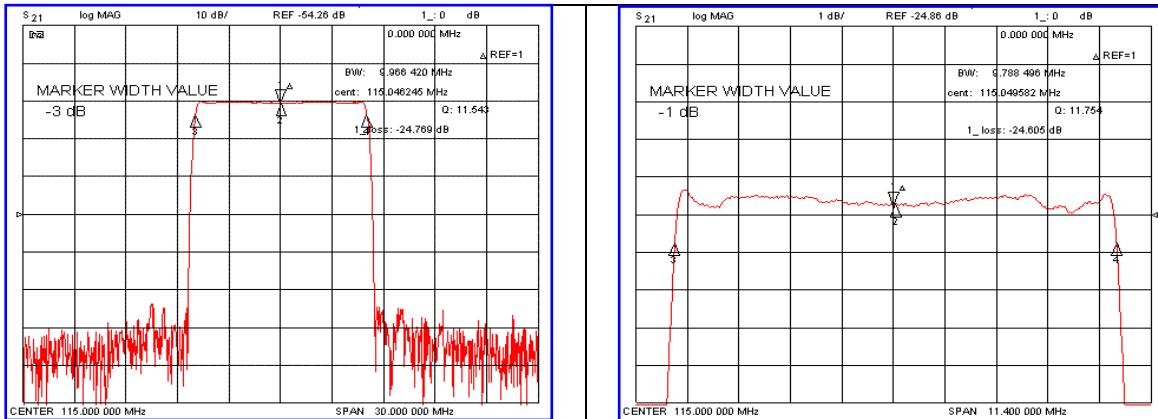


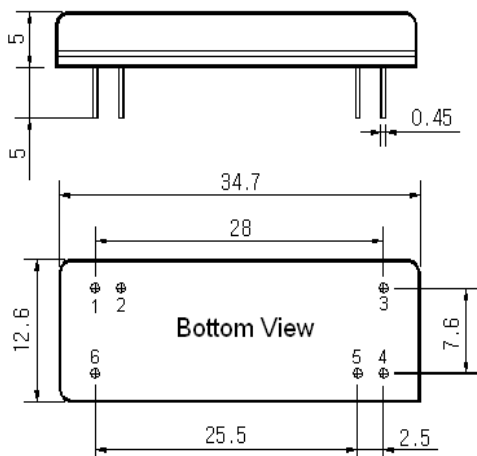
Typical Performance



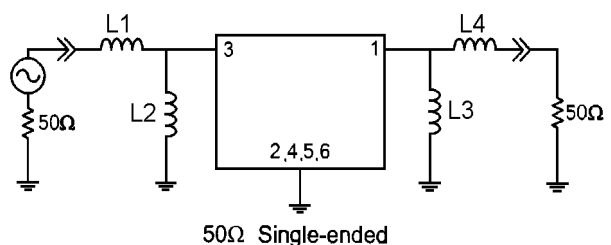
Specification

Parameter	Unit	Min.	Typ.	Max.
Center Frequency	MHz	114.90	115.00	115.10
Insertion Loss	dB	-	25.00	27.00
1dB Bandwidth	MHz	-	9.78	-
3dB Bandwidth	MHz	9.80	9.96	-
40dB Bandwidth	MHz	-	10.75	10.90
Passband Ripple	dB	-	0.65	1.00
Group Delay Variation	nsec	-	60	100
Absolute Delay	usec	-	4.55	-
Ultimate Attenuation	dB	50	53	-
Substrate Material	-	112-LiTaO ₃		
Temperature Coefficient	ppm/°C	-18		

Package Dimension



Matching Configuration



L1=39nH, L2=47nH, L3=47nH, L4=39nH
 Source / Load Impedance = 50Ω
 Ambient Temperature = 25°C

Rev.0 100419

