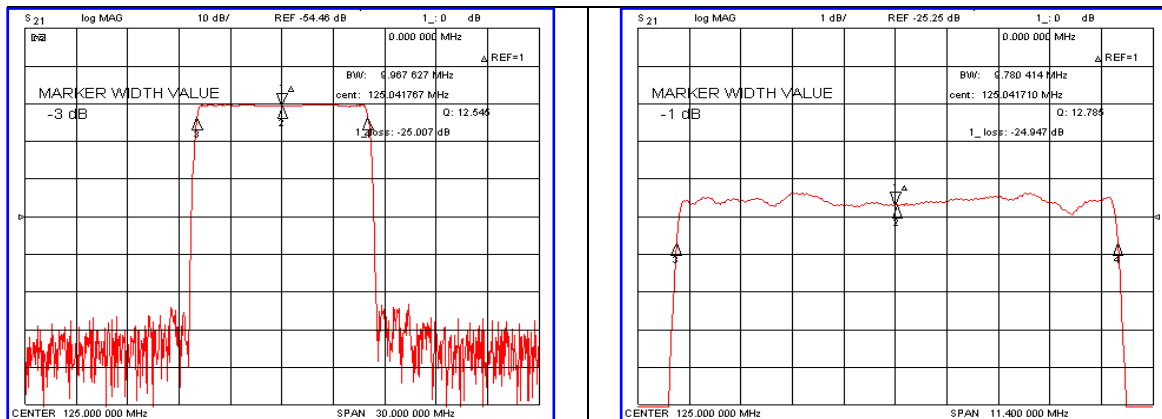


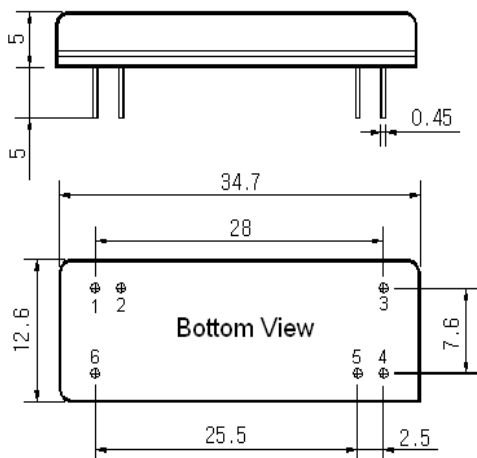
Typical Performance



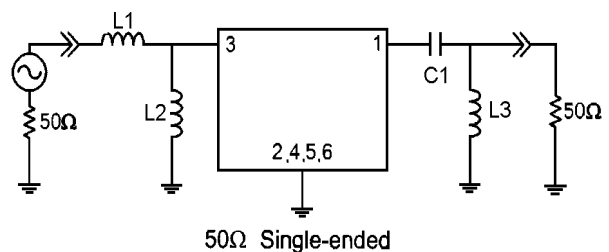
Specification

| Parameter | Unit | Min. | Typ. | Max. |
|-------------------------|--------|------------------------|--------|--------|
| Center Frequency | MHz | 124.90 | 125.00 | 125.10 |
| Insertion Loss | dB | - | 25.00 | 27.00 |
| 1dB Bandwidth | MHz | - | 9.78 | - |
| 3dB Bandwidth | MHz | 9.80 | 9.96 | - |
| 40dB Bandwidth | MHz | - | 10.77 | 10.90 |
| Passband Ripple | dB | - | 0.65 | 1.00 |
| Group Delay Variation | nsec | - | 60 | 100 |
| Absolute Delay | usec | - | 4.55 | - |
| Ultimate Attenuation | dB | 50 | 53 | - |
| Substrate Material | - | 112-LiTaO ₃ | | |
| Temperature Coefficient | ppm/°C | -18 | | |

Package Dimension



Matching Configuration



L1=12nH, L2=33nH, L3=33nH, C1=150pF
 Source / Load Impedance = 50Ω
 Ambient Temperature = 25°C

Rev.0 100417

