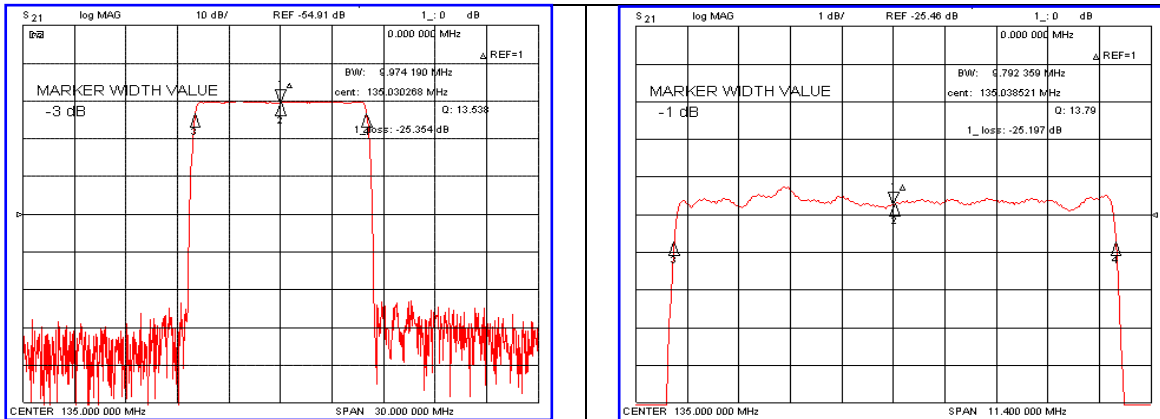


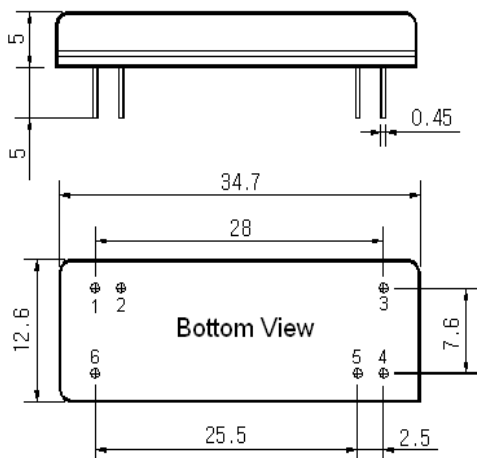
### Typical Performance



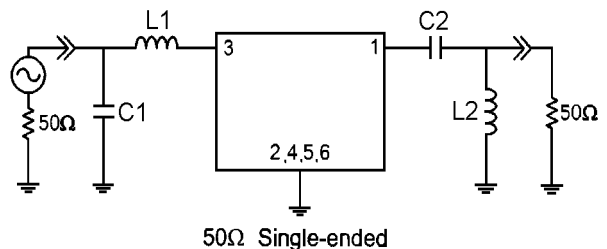
### Specification

Parameter	Unit	Min.	Typ.	Max.
Center Frequency	MHz	134.90	135.00	135.10
Insertion Loss	dB	-	25.50	27.00
1dB Bandwidth	MHz	-	9.79	-
3dB Bandwidth	MHz	9.80	9.97	-
40dB Bandwidth	MHz	-	10.75	10.90
Passband Ripple	dB	-	0.65	1.00
Group Delay Variation	nsec	-	60	100
Absolute Delay	usec	-	4.54	-
Ultimate Attenuation	dB	50	53	-
Substrate Material	-	112-LiTaO <sub>3</sub>		
Temperature Coefficient	ppm/°C	-18		

### Package Dimension



### Matching Configuration



L1=39nH, L2=27nH, C1=39pF, C2=270pF  
 Source / Load Impedance = 50Ω  
 Ambient Temperature = 25°C

Rev.0 10419

