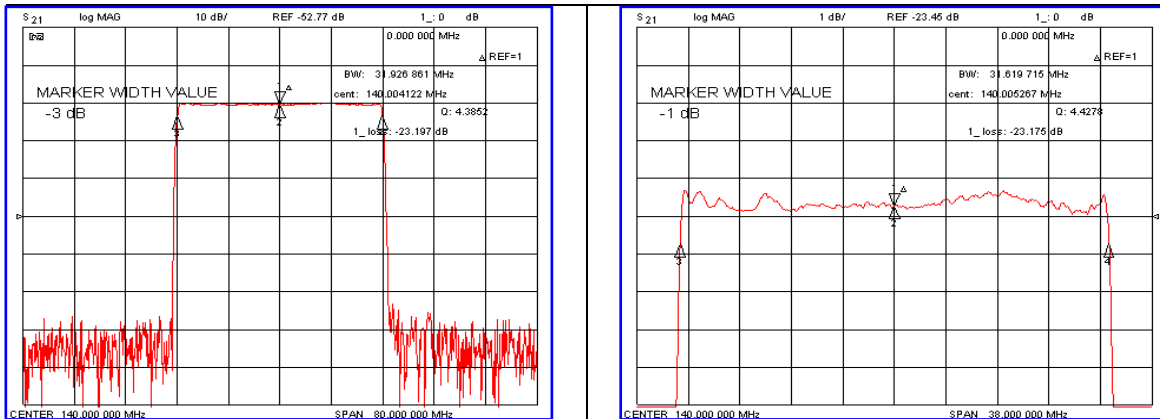


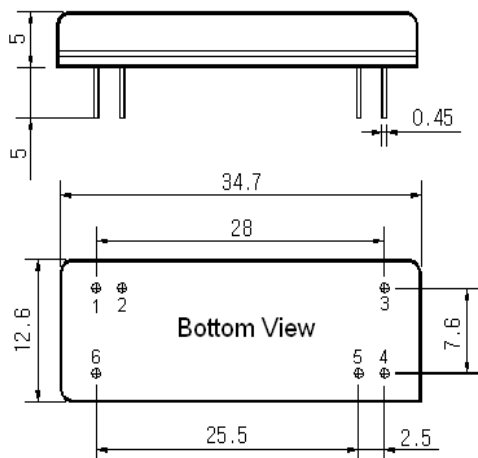
Typical Performance



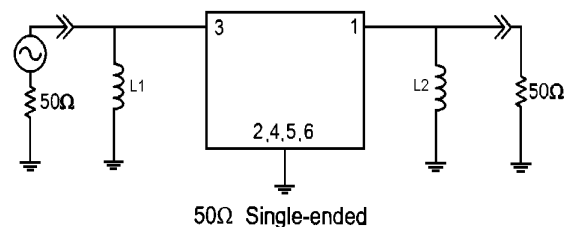
Specification

Parameter	Unit	Min.	Typ.	Max.
Center Frequency	MHz	139.85	140.00	140.15
Insertion Loss	dB	-	23.40	25.00
1dB Bandwidth	MHz	31.50	31.61	-
3dB Bandwidth	MHz	-	31.92	-
40dB Bandwidth	MHz	-	33.31	33.45
Passband Ripple	dB	-	0.65	1.00
Group Delay Variation	nsec	-	30	50
Absolute Delay	usec	-	2.14	-
Ultimate Attenuation	dB	48	52	-
Substrate Material	-	128-LiNbO ₃		
Temperature Coefficient	ppm/°C	-72		

Package Dimension



Matching Configuration



L1=68nH, L2=68nH
 Source / Load Impedance = 50Ω
 Ambient Temperature = 25°C

Rev.0 091102

