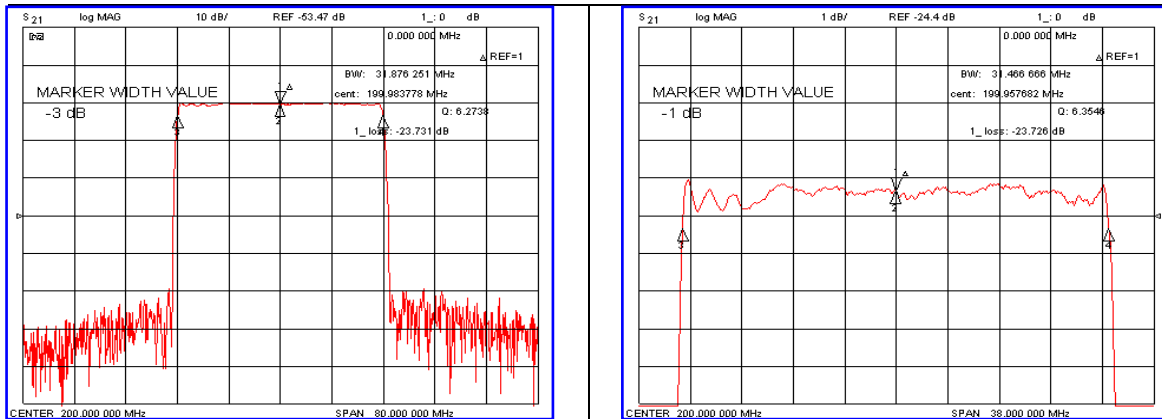


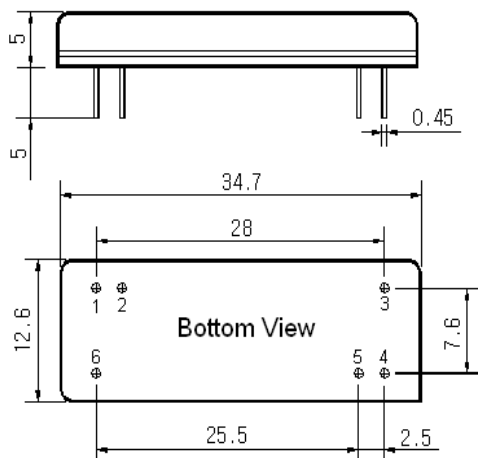
Typical Performance



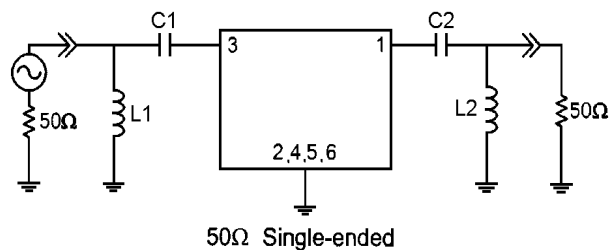
Specification

Parameter	Unit	Min.	Typ.	Max.
Center Frequency	MHz	199.80	200.00	200.20
Insertion Loss	dB	-	23.80	25.50
1dB Bandwidth	MHz	31.35	31.46	-
3dB Bandwidth	MHz	-	31.87	-
40dB Bandwidth	MHz	-	33.55	33.70
Passband Ripple	dB	-	0.75	1.00
Group Delay Variation	nsec	-	40	80
Absolute Delay	usec	-	1.82	-
Ultimate Attenuation	dB	43	47	-
Substrate Material	-	128-LiNbO ₃		
Temperature Coefficient	ppm/°C	-72		

Package Dimension



Matching Configuration



L1=33nH, L2=47nH, C1=92pF, C2=43pF
 Source / Load Impedance = 50Ω
 Ambient Temperature = 25°C

Rev.0 091102

