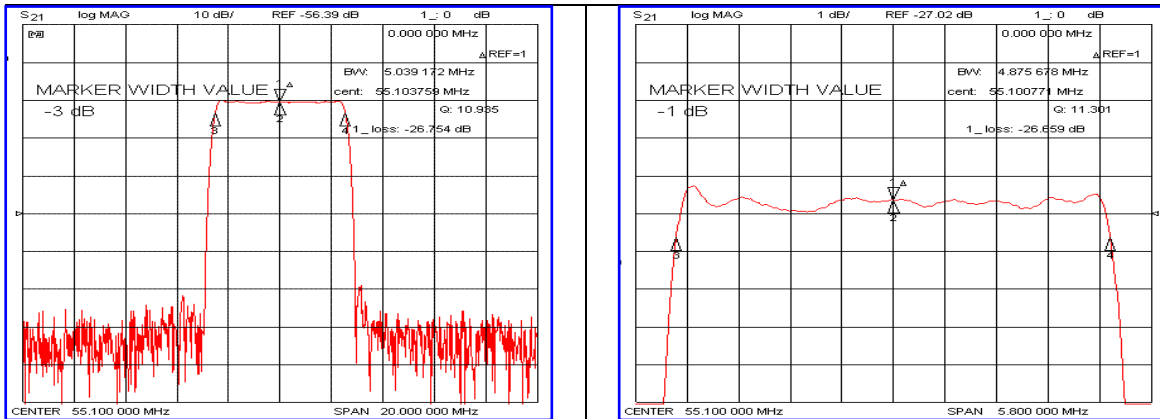


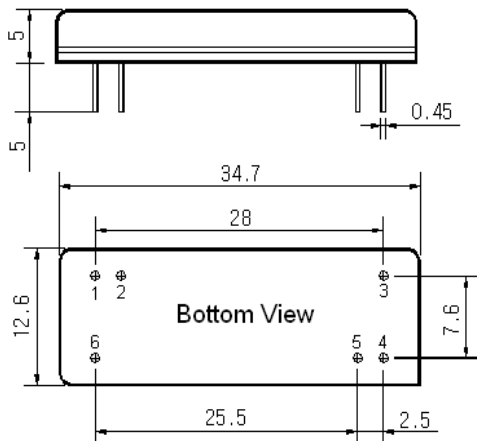
### Typical Performance



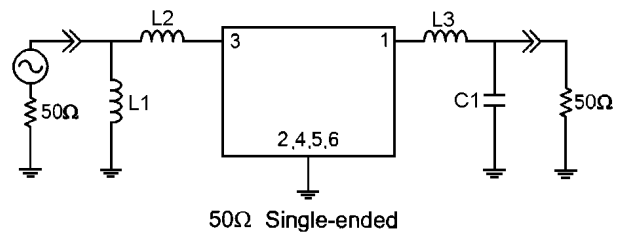
### Specification

Parameter	Unit	Min.	Typ.	Max.
Center Frequency	MHz	55.00	55.10	55.20
Insertion Loss	dB	-	26.80	28.50
1dB Bandwidth	MHz	-	4.87	-
3dB Bandwidth	MHz	4.90	5.03	-
40dB Bandwidth	MHz	-	5.76	-
Relative Attenuation $\Delta F_c \pm 6.0\text{MHz} \pm 400\text{KHz}$	dB	-	40	-
Passband Ripple	dB	-	0.70	1.20
Absolute Delay	usec	-	5.00	-
Ultimate Attenuation	dB	45	48	-
Substrate Material	-	112-LiTaO <sub>3</sub>		
Temperature Coefficient	ppm/°C	-20		

### Package Dimension



### Matching Configuration



L1=180nH, L2=68nH, L3=270nH, C=62pF  
 Source / Load Impedance = 50Ω  
 Ambient Temperature = 25°C

Rev.0 100625

