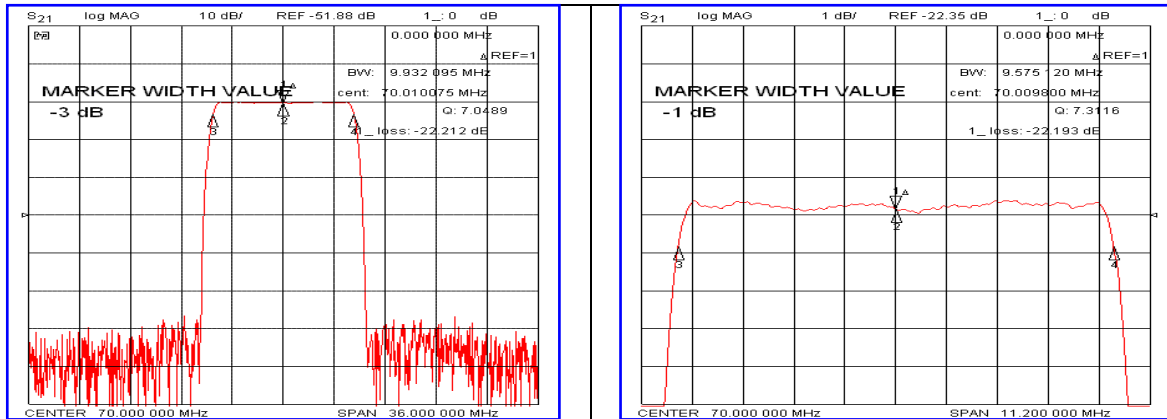


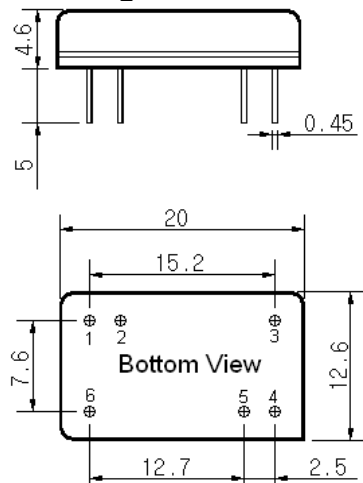
Typical Performance



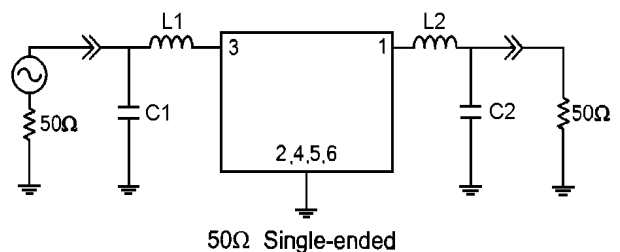
Specification

Parameter	Unit	Min.	Typ.	Max.
Center Frequency	MHz	69.92	70.00	70.08
Insertion Loss	dB	-	22.50	24.50
3dB Bandwidth	MHz	9.80	9.93	-
20dB Bandwidth	MHz	-	10.95	-
30dB Bandwidth	MHz	-	11.25	-
40dB Bandwidth	MHz	-	11.42	11.60
Passband Ripple	dB	-	0.50	1.00
Group Delay Variation	nsec	-	50	100
Absolute Delay	μsec	-	2.19	-
Ultimate Attenuation	dB	50	55	-
Temperature Coefficient	ppm/°C	-	-72	-

Package Dimension



Matching Configuration



L1=47nH, L2=47nH, C1=20pF, C2=20pF  
Source / Load Impedance = 50Ω  
Ambient Temperature = 25°C

Rev1. 120613

