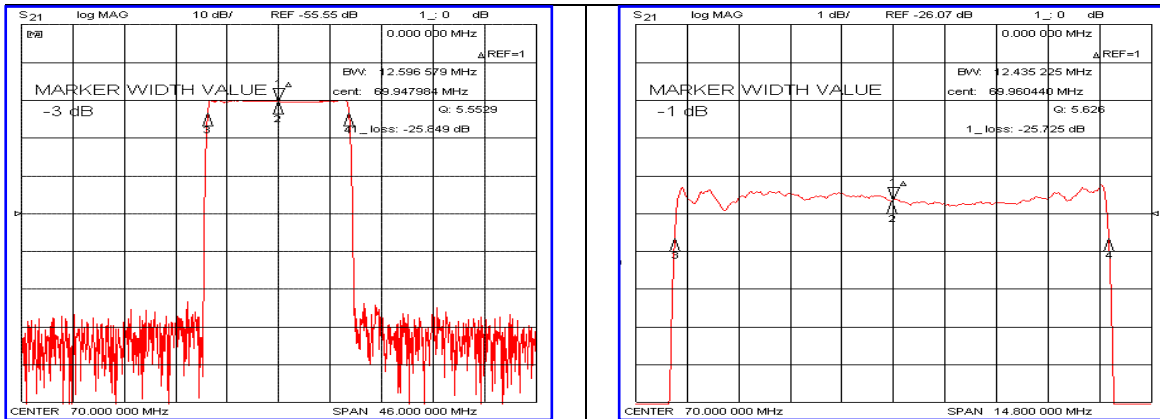


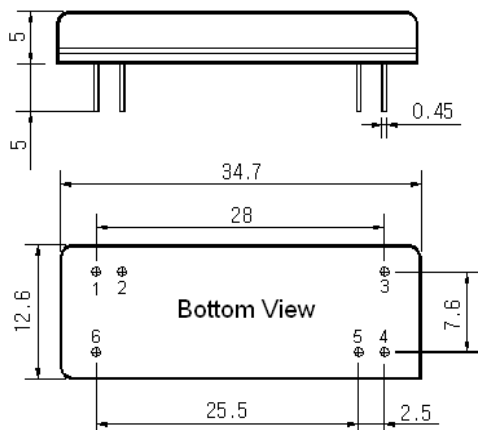
Typical Performance



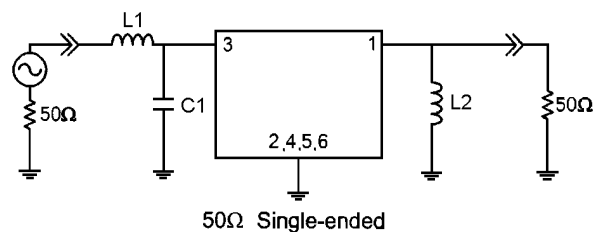
Specification

Parameter	Unit	Min.	Typ.	Max.
Center Frequency	MHz	69.90	70.00	70.10
Insertion Loss	dB	-	25.85	27.50
1dB Bandwidth	MHz	-	12.43	-
3dB Bandwidth	MHz	12.40	12.59	-
40dB Bandwidth	MHz	-	13.35	-
Relative Attenuation $\Delta F_{c} \pm 6.0\text{MHz} \pm 400\text{KHz}$	dB	-	40	-
Passband Ripple	dB	-	0.80	1.20
Absolute Delay	usec	-	3.80	-
Ultimate Attenuation	dB	-	53	-
Substrate Material	-	128-LiNbO ₃		
Temperature Coefficient	ppm/°C	-72		

Package Dimension



Matching Configuration



L1=68nH, L2=180nH, C1=30pF
 Source / Load Impedance = 50Ω
 Ambient Temperature = 25°C

Rev.0 100625

