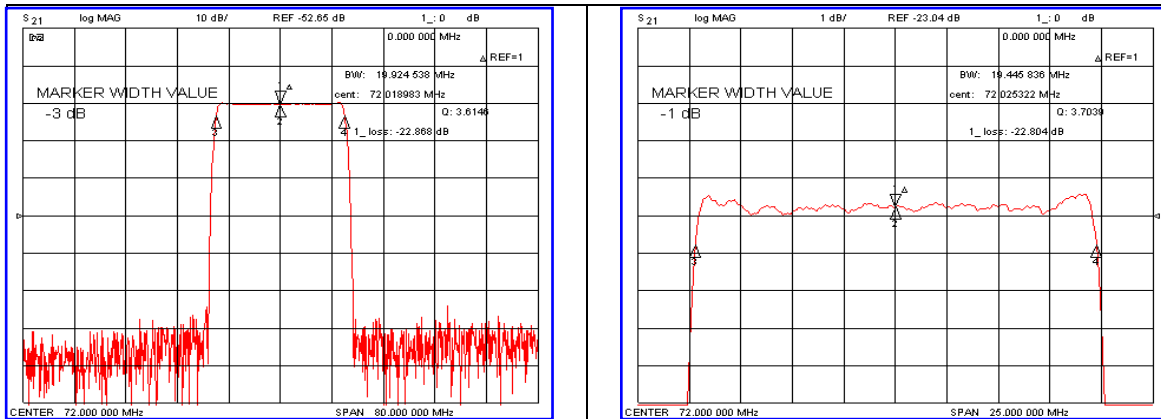


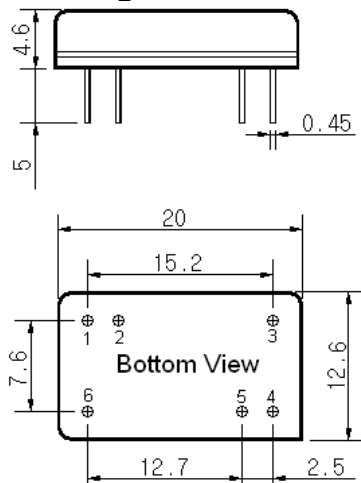
Typical Performance



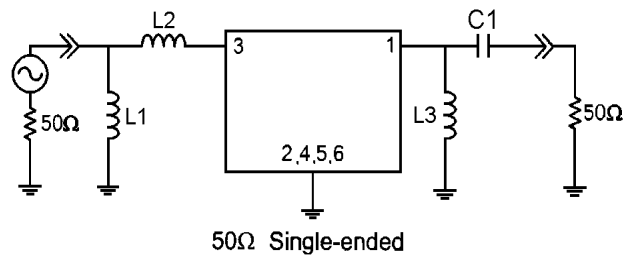
Specification

Parameter	Unit	Min.	Typ.	Max.
Center Frequency	MHz	71.92	72.00	72.08
Insertion Loss	dB	-	23.00	25.00
1dB Bandwidth	MHz	19.30	19.44	-
3dB Bandwidth	MHz	-	19.92	-
40dB Bandwidth	MHz	-	22.08	22.20
Passband Ripple	dB	-	0.60	1.00
Group Delay Variation	nsec	-	30	50
Absolute Delay	μsec	-	1.59	-
Ultimate Attenuation	dB	50	55	-
Substrate Material	-	128- LiNbO ₃		
Temperature Coefficient	ppm/°C	-72		

Package Dimension



Matching Configuration



L1=150nH, L2=100nH, L3=150nH, C1=39pF
 Source / Load Impedance = 50Ω
 Ambient Temperature = 25°C

Rev0. 091124

