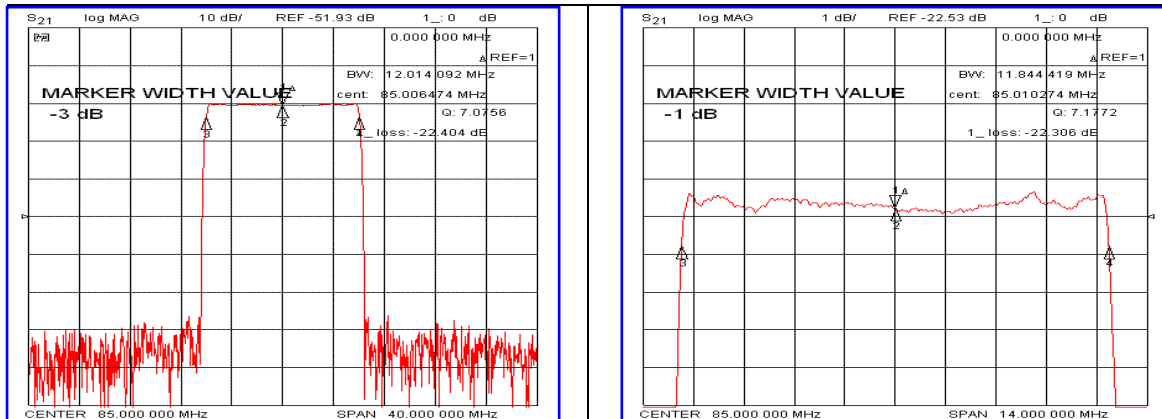


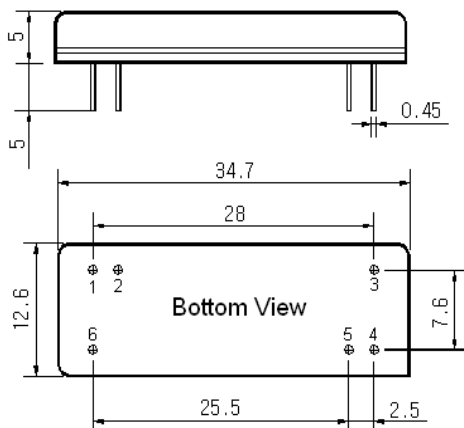
Typical Performance



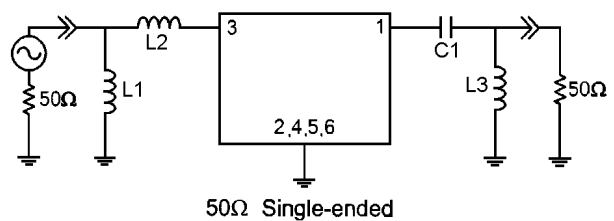
Specification

Parameter	Unit	Min.	Typ.	Max.
Center Frequency	MHz	84.90	85.00	85.10
Insertion Loss	dB	-	22.50	25.00
1dB Bandwidth	MHz	-	11.84	-
3dB Bandwidth	MHz	11.90	12.01	-
40dB Bandwidth	MHz	-	12.76	-
Relative Attenuation $\Delta F_{c} \pm 6.0\text{MHz} \pm 400\text{KHz}$	dB	-	40	-
Passband Ripple	dB	-	0.65	1.00
Absolute Delay	usec	-	3.65	-
Ultimate Attenuation	dB	50	55	-
Substrate Material	-	128-LiNbO ₃		
Temperature Coefficient	ppm/°C	-72		

Package Dimension



Matching Configuration



L1=180nH, L2=15nH, L3=470nH, C1=150pF
 Source / Load Impedance = 50Ω
 Ambient Temperature = 25°C

Rev.0 100615

