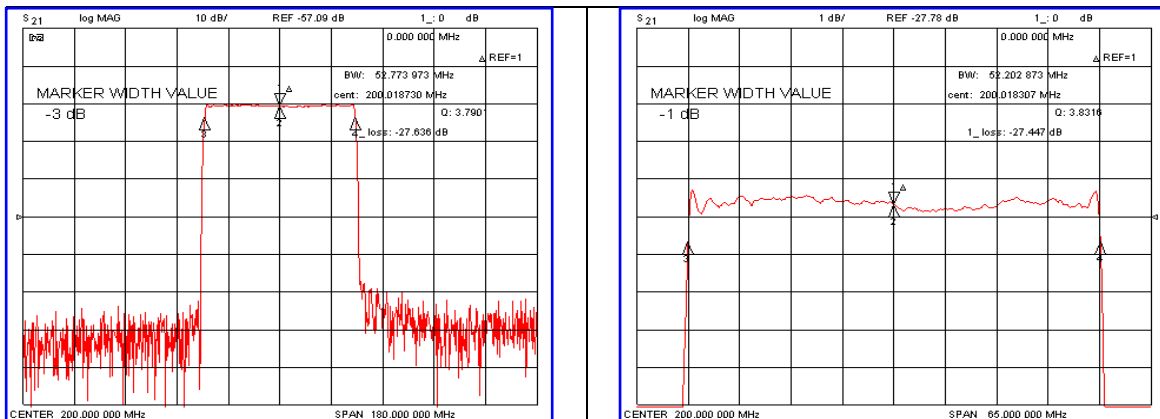


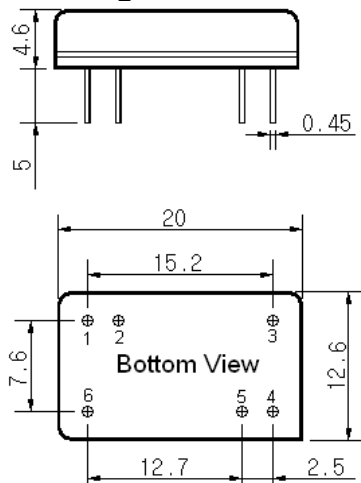
Typical Performance



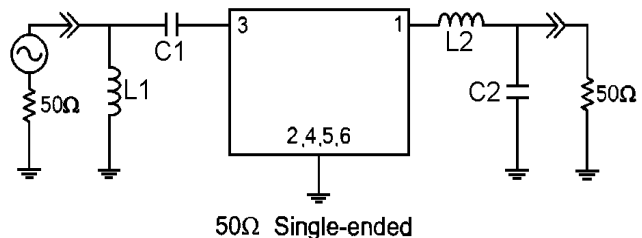
Specification

Parameter	Unit	Min.	Typ.	Max.
Center Frequency	MHz	199.80	200.00	200.20
Insertion Loss	dB	-	27.80	30.00
1dB Bandwidth	MHz	55.00	52.20	-
3dB Bandwidth	MHz	-	52.77	-
40dB Bandwidth	MHz	-	55.50	55.70
Passband Ripple	dB	-	0.65	1.00
Group Delay Variation	nsec	-	20	50
Absolute Delay	μsec	-	1.33	-
Ultimate Attenuation	dB	43	47	-
Substrate Material	-	128- LiNbO ₃		
Temperature Coefficient	ppm/°C	-72		

Package Dimension



Matching Configuration



L1=27nH, L2=27nH, C1=300pF, C2=8pF
 Source / Load Impedance = 50Ω
 Ambient Temperature = 25°C

Rev0. 091207

