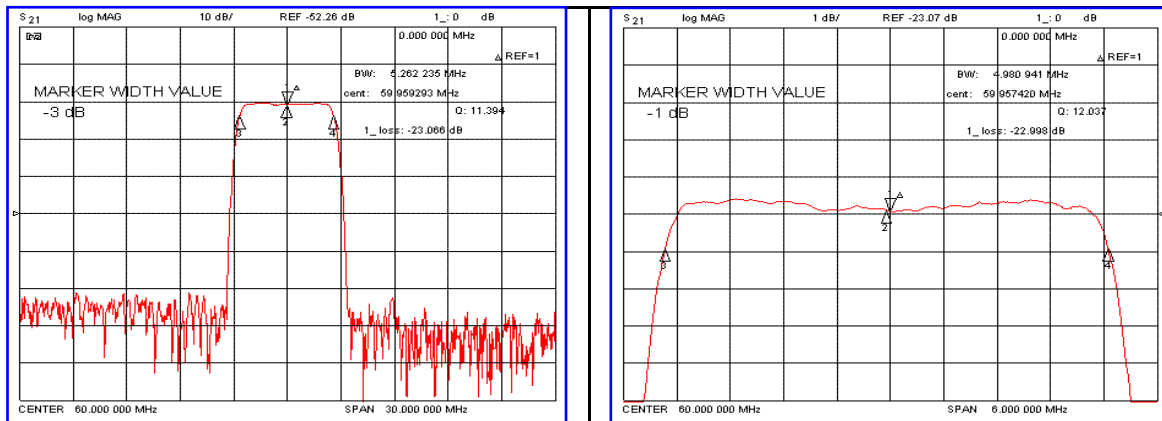


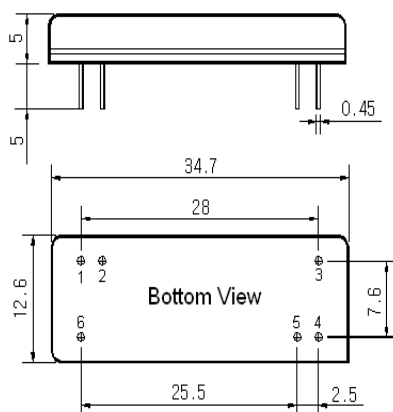
Typical Performance



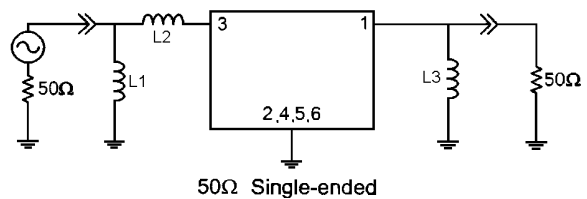
Specification

Parameter	Unit	Min.	Typ.	Max.
Center Frequency	MHz	59.92	60.00	60.08
Insertion Loss	dB	-	23.00	25.00
1dB Bandwidth	MHz	-	4.98	-
3dB Bandwidth	MHz	5.00	5.26	-
45dB Bandwidth	MHz	-	6.57	7.20
Passband Ripple	dB	-	0.50	1.00
Group Delay Variation	nsec	-	50	100
Absolute Delay	μsec	-	1.77	-
Ultimate Attenuation	dB	45	50	-
Substrate Material	-	112-LiTaO ₃		
Temperature Coefficient	ppm/°C	-20		

Package Dimension



Matching Configuration



L1=220nH, L2=47nH, L3=150nH
 Source / Load Impedance = 50Ω
 Ambient Temperature = 25°C

Rev 0. 061228

