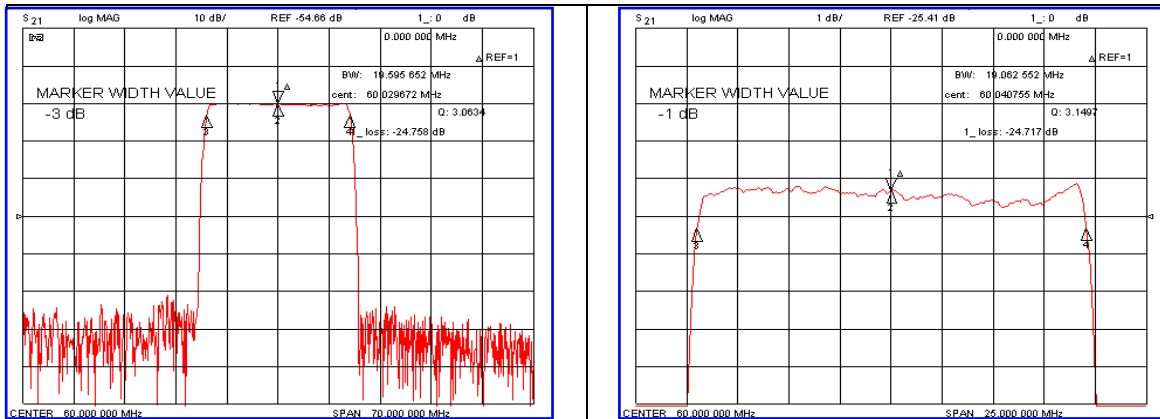


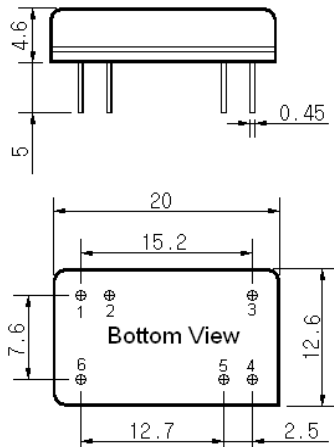
### Typical Performance



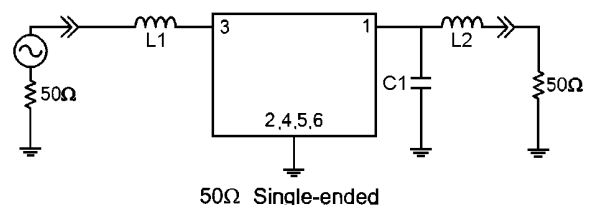
### Specification

Parameter	Unit	Min.	Typ.	Max.
Center Frequency	MHz	59.92	60.00	60.08
Insertion Loss	dB	-	25.00	27.00
1dB Bandwidth	MHz	-	19.06	-
3dB Bandwidth	MHz	19.50	19.59	-
25dB Bandwidth	MHz	-	21.30	21.40
40dB Bandwidth	MHz	-	21.75	-
Passband Ripple	dB	-	0.65	1.00
Group Delay Variation	nsec	-	30	50
Absolute Delay	μsec	-	1.70	-
Ultimate Attenuation	dB	50	52	-
Substrate Material	-	128- LiNbO <sub>3</sub>		
Temperature Coefficient	ppm/°C	-72		

### Package Dimension



### Matching Configuration



L1=220nH, L2=270nH, C1=10pF  
 Source / Load Impedance = 50Ω  
 Ambient Temperature = 25°C

Rev0. 090428

