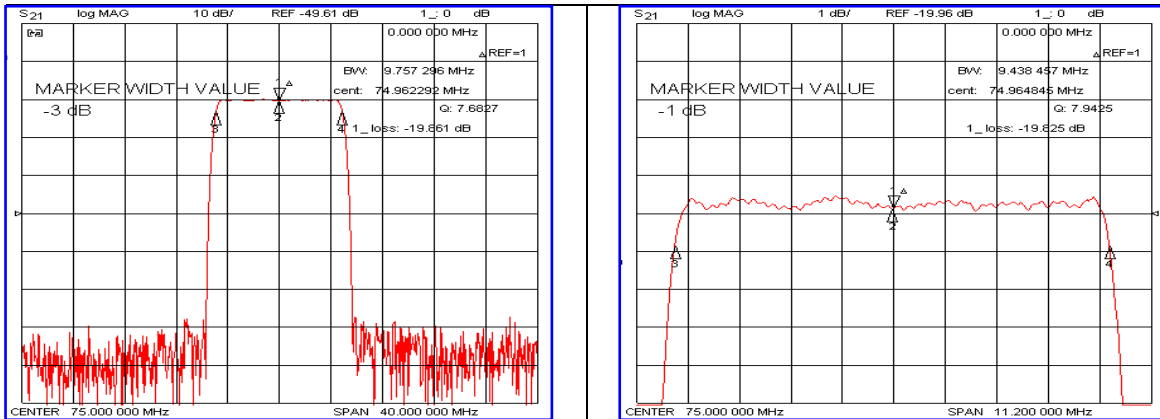


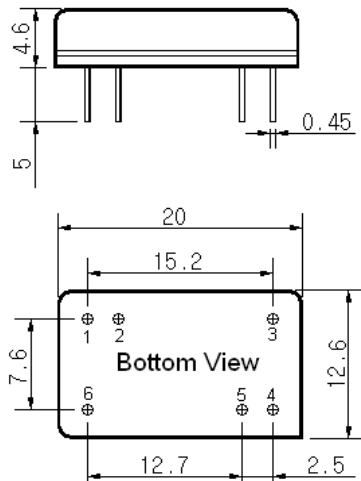
Typical Performance



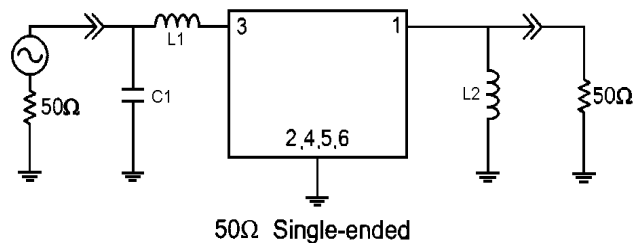
Specification

Parameter	Unit	Min.	Typ.	Max.
Center Frequency	MHz	74.90	75.00	75.10
Insertion Loss	dB	-	20.00	22.00
3dB Bandwidth	MHz	9.65	9.75	-
40dB Bandwidth	MHz	-	11.12	11.30
Passband Ripple(Fc±4.3MHz)	dB	-	0.45	1.00
Absolute Delay	µsec	-	2.21	-
Relative Attenuation				
Fc ± 4.9MHz ± 400KHz	dB	-	13	-
Fc ± 4.9MHz ± 400KHz	dB	-	29	-
Fc ± 4.9MHz ± 400KHz	dB	-	50	-
Temperature Coefficient	ppm/°C		-72	

Package Dimension



Matching Configuration



L1=47nH, L2=270nH, C1=18pF
 Source / Load Impedance = 50Ω
 Ambient Temperature = 25°C

Rev1. 120613

