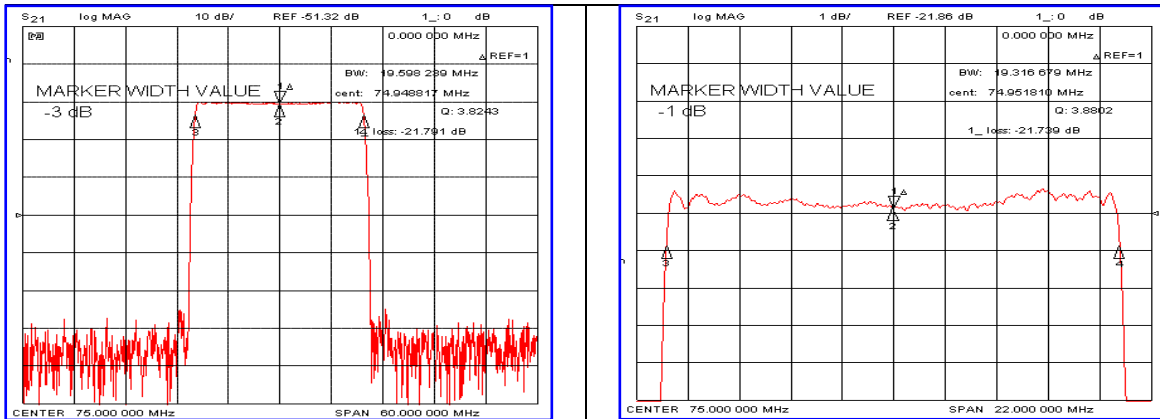


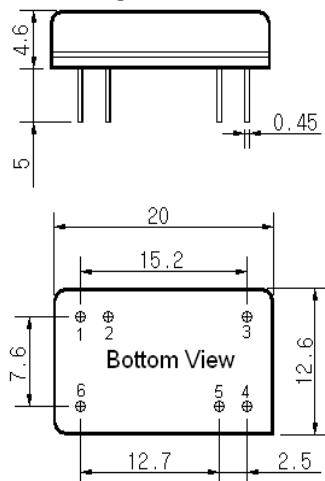
Typical Performance



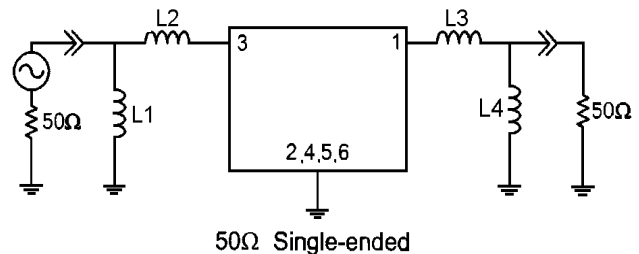
Specification

Parameter	Unit	Min.	Typ.	Max.
Center Frequency	MHz	74.90	75.00	75.10
Insertion Loss	dB	-	21.80	23.50
1dB Bandwidth	MHz	-	19.31	-
3dB Bandwidth	MHz	19.40	19.59	-
40dB Bandwidth	MHz	-	20.90	21.10
Passband Ripple	dB	-	0.60	1.00
Group Delay Variation	nsec	-	50	100
Absolute Delay	µsec	-	2.23	-
Ultimate Attenuation	dB	50	55	-
Substrate Material	-	128-LiNbO ₃		
Temperature Coefficient	ppm/°C	-72		

Package Dimension



Matching Configuration



L1=270nH, L2=100nH, L3=100nH, L4=390nH
Source / Load Impedance = 50Ω
Ambient Temperature = 25°C

Rev0. 100705

