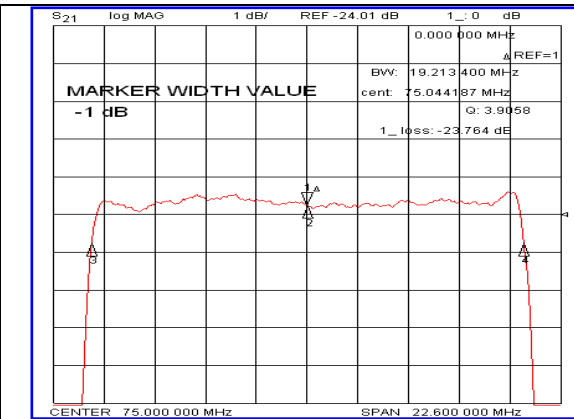
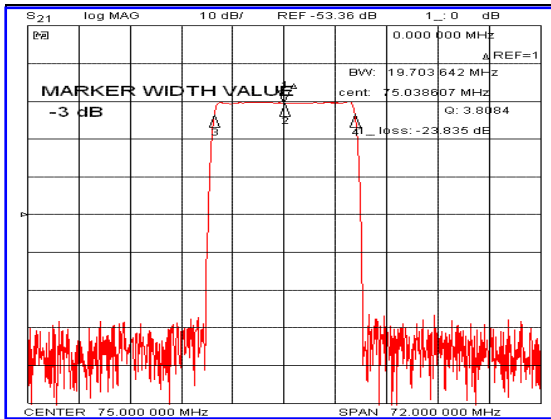


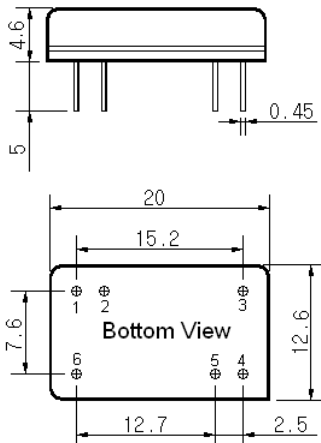
Typical Performance



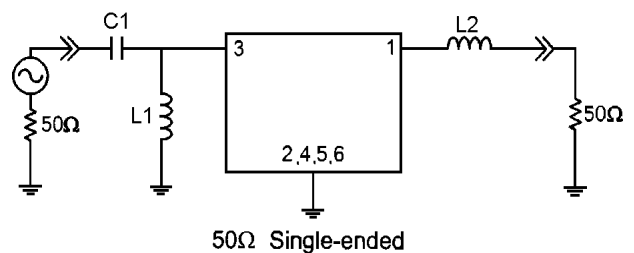
Specification

Parameter	Unit	Min.	Typ.	Max.
Center Frequency	MHz	74.90	75.00	75.10
Insertion Loss	dB	-	23.80	25.50
1dB Bandwidth	MHz	-	19.21	-
3dB Bandwidth	MHz	19.50	19.70	-
25dB Bandwidth	MHz	-	21.27	21.40
40dB Bandwidth	MHz	-	21.70	-
Passband Ripple	dB	-	0.55	1.00
Group Delay Variation	nsec	-	30	50
Absolute Delay	µsec	-	1.70	-
Ultimate Attenuation	dB	50	55	-
Substrate Material	-	128-LiNbO ₃		
Temperature Coefficient	ppm/°C	-72		

Package Dimension



Matching Configuration



L1=100nH, L2=180nH, C1=82pF
 Source / Load Impedance = 50Ω
 Ambient Temperature = 25°C

Rev0. 101008

