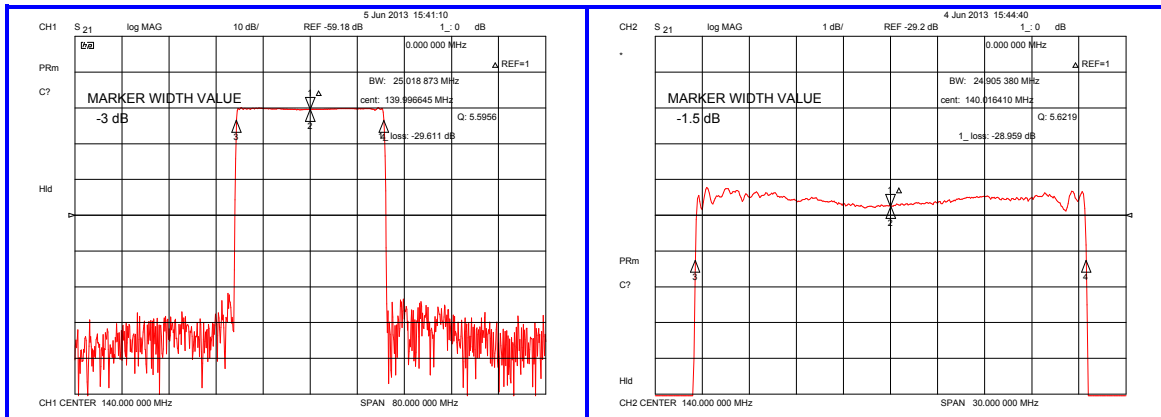


Typical Performance

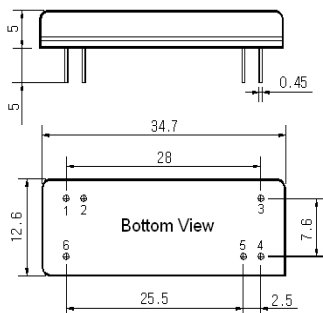


Specification

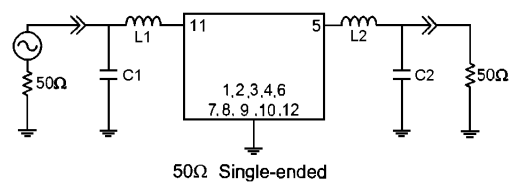
Parameter	Unit	Min.	Typ.	Max.
Center Frequency	MHz	139.90	140.0	140.10
Insertion Loss	dB	-	29.61	31.50
1.5dB Bandwidth	MHz	24.8	24.90	-
3dB Bandwidth	MHz	-	25.01	-
30dB Bandwidth	MHz	-	25.65	-
40dB Bandwidth	MHz	-	25.77	25.85
Amplitude Ripple($\Delta F_c \pm 12.3\text{MHz}$)	dB	-	0.65	1.50
Group Delay Variation($\Delta F_c \pm 12.3\text{MHz}$)	nsec	-	50	120
Absolute Delay	µsec	-	3.54	-
Out of Band Gain ($\Delta F_c @ \text{Edge: } 25\text{MHz}$)				
$\Delta F_c @ \text{Edge} \pm 400\text{KHz}$	dB	30	40	-
$\Delta F_c @ \text{Edge} \pm 600\text{KHz}$	dB	40	50	-
$\Delta F_c @ \text{Edge} \pm 1.0\text{MHz}$	dB	48	55	-
$\Delta F_c @ \text{Edge} \pm 5.0\text{MHz}$	dB	50	60	-
Substrate Material / T. C. F	ppm/°C	Yz-LiNbO ₃ / -86		
Package		35 X 12 (DIP)		

계측기 설정 : Input Power : +10dBm 인가

Package Dimension



Matching Configuration



50Ω Single-ended
 $L1=56\text{nH}$, $L2=56\text{nH}$, $C1=22\text{pF}$, $C2=24\text{pF}$
 Source / Load Impedance = 50Ω
 Ambient Temperature = 25°C

Rev 0. 130612

