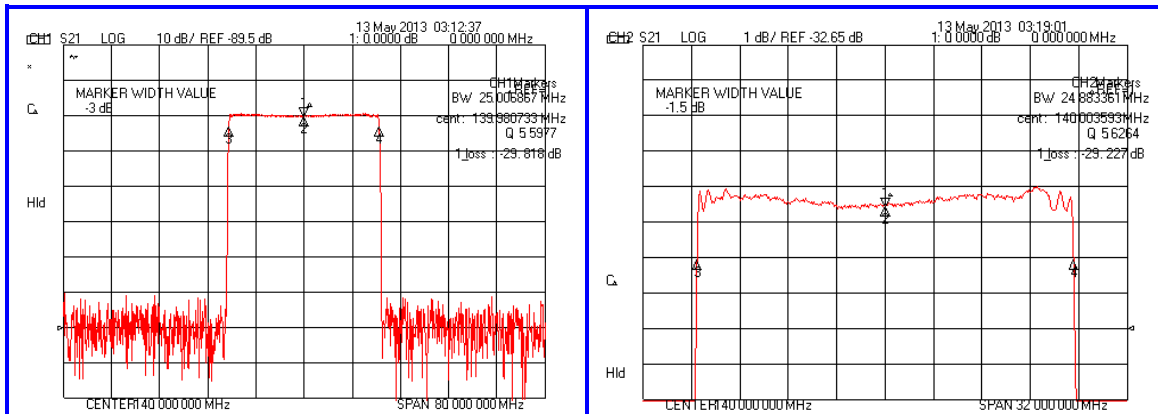


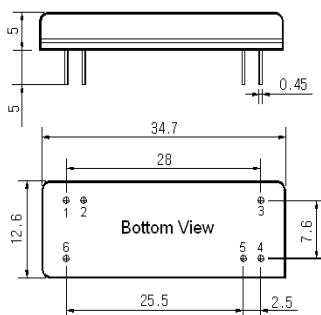
#### Typical Performance



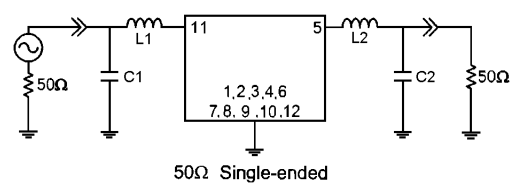
#### Specification

Parameter	Unit	Min.	Typ.	Max.
Center Frequency	MHz	-	140.0	-
Insertion Loss	dB	-	29.81	31.5
1.5dB Bandwidth	MHz	24.8	24.88	-
3dB Bandwidth	MHz	-	25.00	-
30dB Bandwidth	MHz	-	25.64	-
40dB Bandwidth	MHz	-	25.71	25.85
Amplitude Ripple( $F_c \pm 12.3\text{MHz}$ )	dB	-	0.68	1.50
Group Delay Variation( $F_c \pm 12.3\text{MHz}$ )	nsec	-	50	120
Absolute Delay	µsec	-	3.54	-
Out of Band Gain				
@Edge $\pm 400\text{KHz}$	dB	30	42	-
@Edge $\pm 600\text{KHz}$	dB	40	55	-
@Edge $\pm 1.0\text{MHz}$	dB	50	55	-
@Edge $\pm 5.0\text{MHz}$	dB	50	60	-
Substrate Material / T. C. F	ppm/°C	Yz-LiNbO <sub>3</sub> / -86		
Package		35 X 12 (DIP)		

#### Package Dimension



#### Matching Configuration



50Ω Single-ended  
 $L1=56\text{nH}$ ,  $L2=56\text{nH}$ ,  $C1=22\text{pF}$ ,  $C2=24\text{pF}$   
 Source / Load Impedance = 50Ω  
 Ambient Temperature = 25°C

Rev 0. 130503

