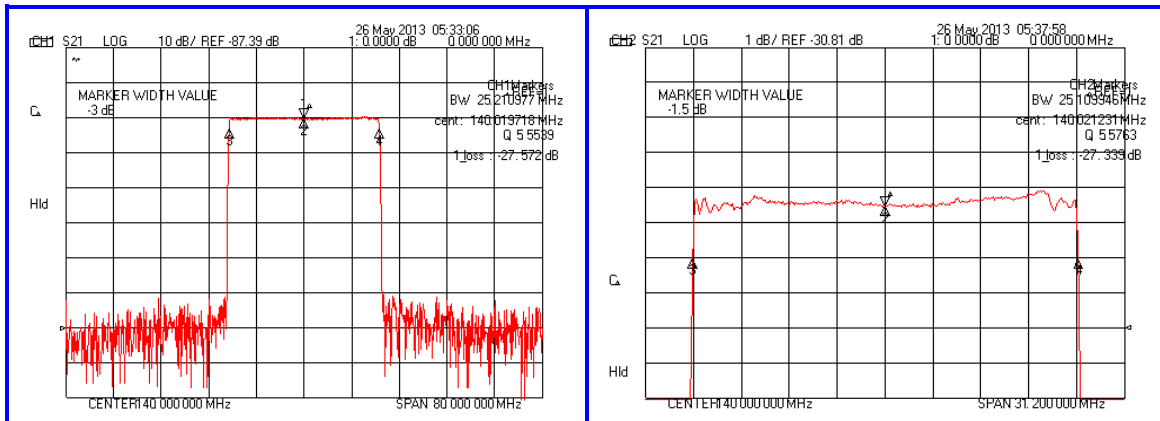


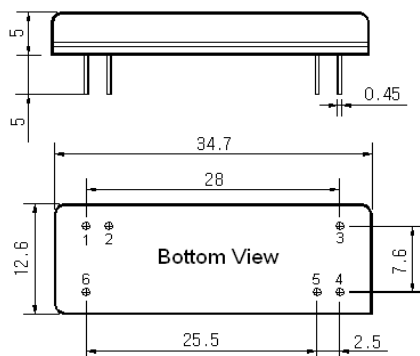
Typical Performance



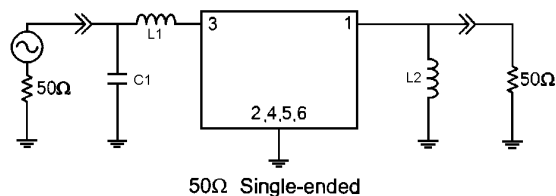
Specification

Parameter	Unit	Min.	Typ.	Max.
Center Frequency	MHz	-	140.00	-
Insertion Loss	dB	-	27.6	29.5
1.5dB Bandwidth	MHz	24.90	25.10	-
40dB Bandwidth	MHz	-	26.04	26.20
Out of Band Gain				
$\Delta F_c \pm 12.7\text{MHz} \pm 0.4\text{MHz}$		40	50	-
$\Delta F_c \pm 12.7\text{MHz} \pm 0.6\text{MHz}$		40	55	-
Amplitude Ripple ($\Delta F_c \pm 12.3\text{MHz}$)	dB	-	0.70	1.50
Group Delay Variation ($\Delta F_c \pm 12.3\text{MHz}$)	nsec	-	55	120
Absolute Delay	μsec	-	3.50	-
Substrate Material & T.C.F	ppm/ $^{\circ}\text{C}$	Yz-LiNbO ₃ & -94		
Temperature Coefficient	mm	35 X 12 (DIP)		

Package Dimension



Matching Configuration



L1=56nH, L2=47nH, C1=22pF
 Source / Load Impedance = 50Ω
 Ambient Temperature = 25°C

Rev0. 130529

