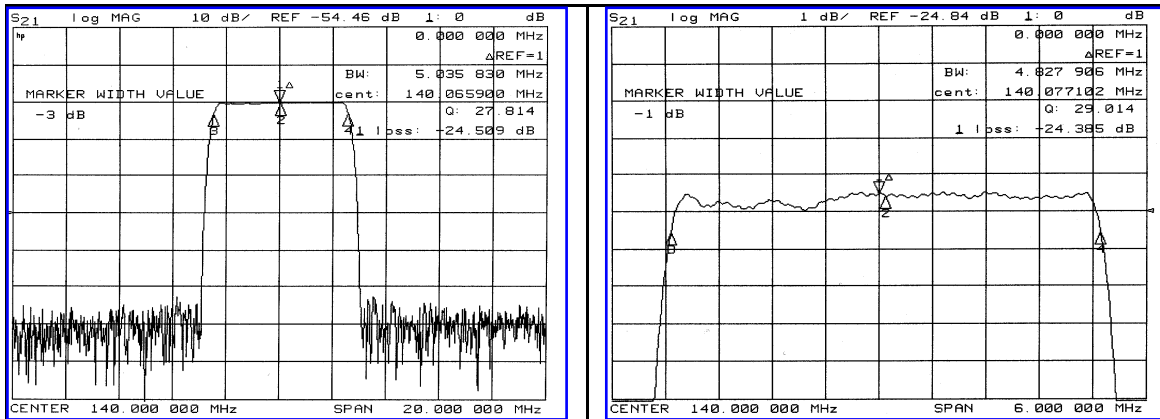


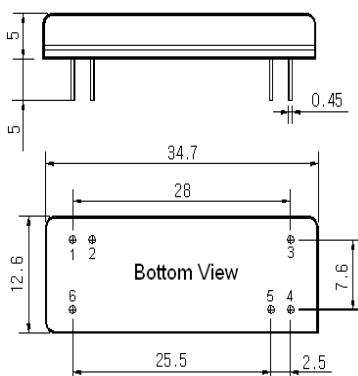
Typical Performance



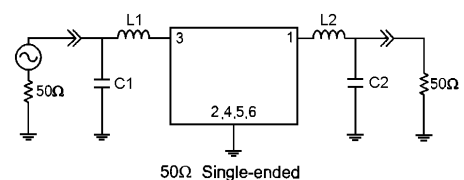
Specification

Parameter	Unit	Min.	Typ.	Max.
Center Frequency	MHz	139.85	140.00	140.15
Insertion Loss	dB	-	24.50	26.00
3dB Bandwidth	MHz	-	5.03	-
Passband Ripple	dB	-	0.65	1.00
Group Delay Variation	nsec	-	80	150
Absolute Delay	µsec	-	4.32	-
Attenuation referred to the 3dB				
± 200 KHz	dB	8.0	9.5	-
± 400 KHz	dB	28.0	32.0	-
± 600 KHz	dB	45.0	55.0	-
± 1 MHz	dB	50.0	55.0	-
Substrate Material	-	LiTaO ₃		
Temperature Coefficient	ppm/°C	-20		

Package Dimension



Matching Configuration



L1=L2=27nH, C1=27pF, C2=24pF
 Source / Load Impedance = 50Ω
 Ambient Temperature = 25°C

12/03/2005

