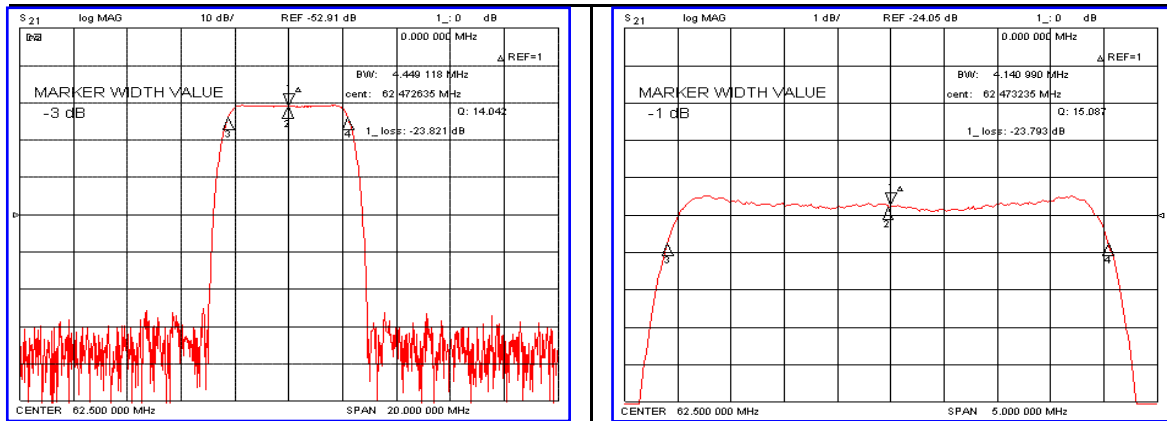


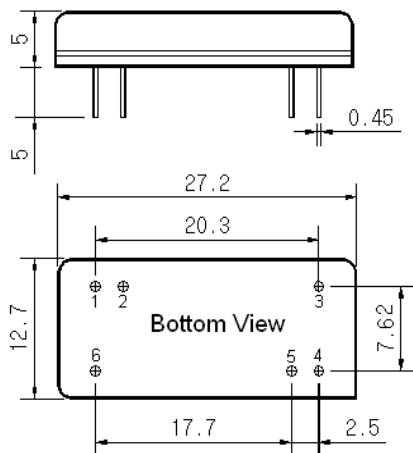
### Typical Performance



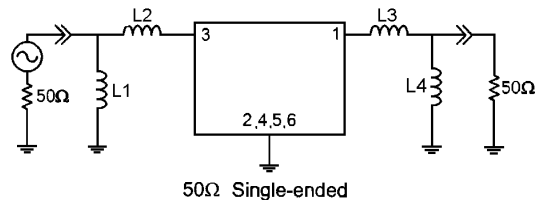
### Specification

Parameter	Unit	Min.	Typ.	Max.
Center Frequency	MHz	62.42	62.50	62.58
Insertion Loss	dB	-	23.80	25.00
1dB Bandwidth	MHz	-	4.14	-
3dB Bandwidth	MHz	4.30	4.44	-
15dB Bandwidth	MHz	-	5.16	5.30
Passband Ripple	dB	-	0.55	1.00
Group Delay Variation	nsec	-	45	-
Absolute Delay	μsec	-	3.65	-
Ultimate Attenuation	dB	50	55	-
Substrate Material	-	112-LiTaO <sub>3</sub>		
Temperature Coefficient	ppm/°C	-20		

### Package Dimension



### Matching Configuration



L1=L4=220nH, L2=120nH, L3=150nH  
 Source / Load Impedance = 50Ω  
 Ambient Temperature = 25°C

Rev0. 070411

