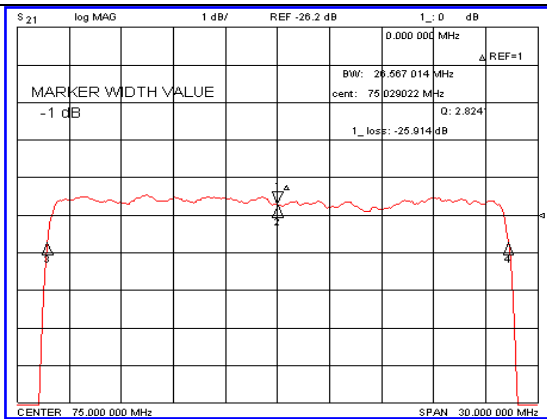
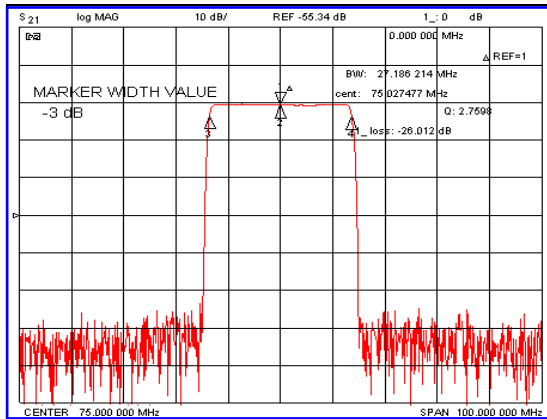


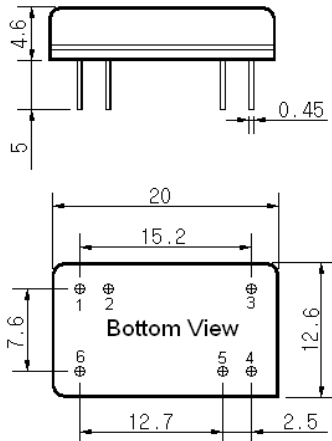
Typical Performance



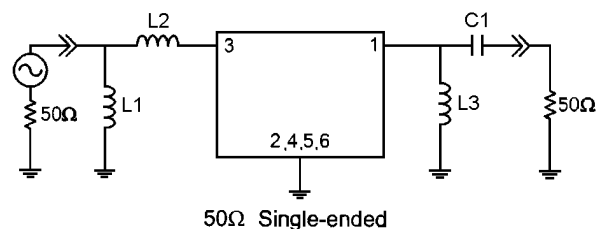
Specification

Parameter	Unit	Min.	Typ.	Max.
Center Frequency	MHz	-	75.00	-
Insertion Loss	dB	-	26.10	27.50
1dB Bandwidth	MHz	26.40	26.56	-
3dB Bandwidth	MHz	-	27.18	-
20dB Bandwidth	MHz	-	28.80	28.90
50dB Bandwidth	MHz	-	29.70	-
Passband Ripple($F_c \pm 12.5$ MHz)	dB	-	0.45	0.80
Group Delay Variation($F_c \pm 12.5$ MHz)	nsec	-	25	40
Absolute Delay	μ sec	-	1.59	-
Ultimate Attenuation	dB	50	53	-
Substrate Material	-	128-LiNbO ₃		
Temperature Coefficient	ppm/ $^{\circ}$ C	-72		

Package Dimension



Matching Configuration



L1=180nH, L2=L3=120nH, C1=75pF
 Source / Load Impedance = 50 Ω
 Ambient Temperature = 25 $^{\circ}$ C

Rev0. 071201

