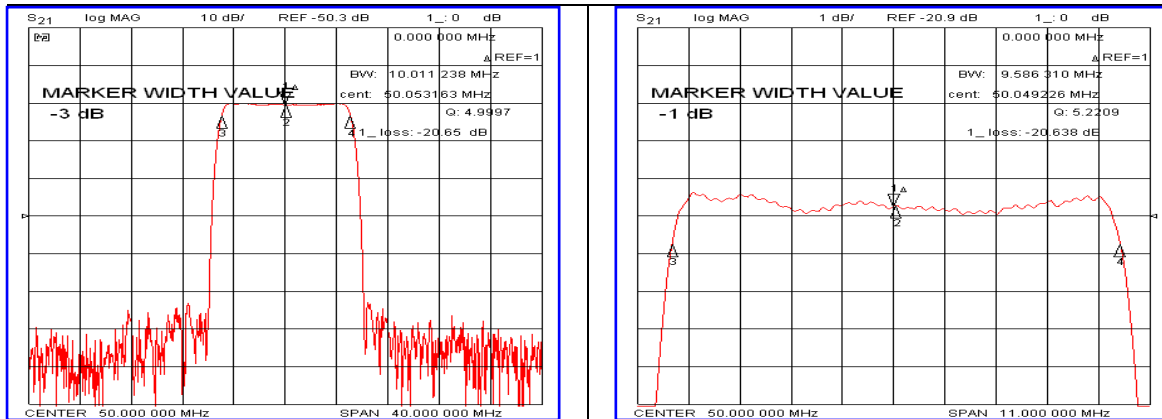


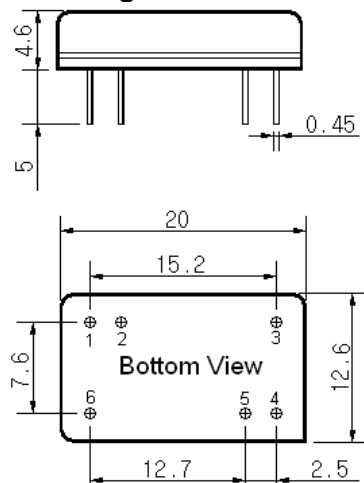
### Typical Performance



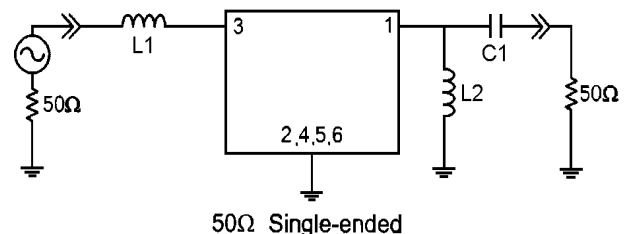
### Specification

Parameter	Unit	Min.	Typ.	Max.
Center Frequency	MHz	49.92	50.00	50.08
Insertion Loss	dB	-	20.80	23.50
1dB Bandwidth	MHz	-	9.58	-
10dB Bandwidth	MHz	10.40	10.72	-
40dB Bandwidth	MHz	-	11.85	12.00
Passband Ripple	dB	-	0.65	1.00
Group Delay Variation	nsec	-	100	200
Absolute Delay	µsec	-	1.96	-
Ultimate Attenuation	dB	50	53	-
Substrate Material	-	128- LiNbO <sub>3</sub>		
Temperature Coefficient	ppm/°C	-72		

### Package Dimension



### Matching Configuration



L1=270nH, L2=270nH, C1=51pF  
 Source / Load Impedance = 50Ω  
 Ambient Temperature = 25°C

Rev0. 100802

