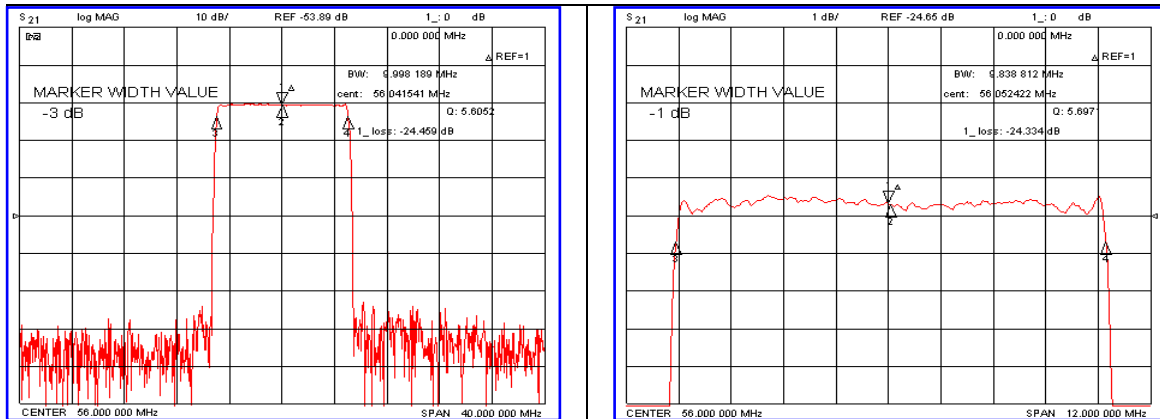


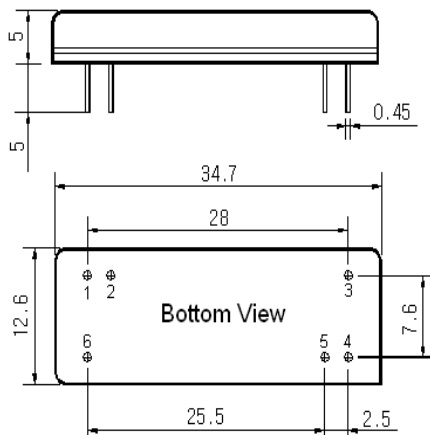
## Typical Performance



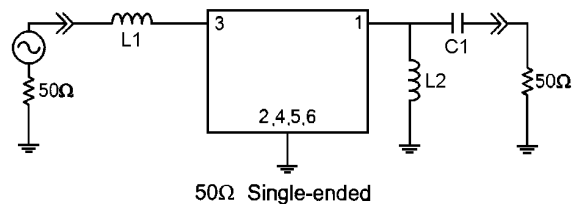
## Specification

Parameter	Unit	Min.	Typ.	Max.
Center Frequency	MHz	55.92	56.00	56.08
Insertion Loss	dB	-	24.45	26.00
1dB Bandwidth	MHz	-	9.83	-
3dB Bandwidth	MHz	9.90	9.99	-
20dB Bandwidth	MHz	-	10.46	10.52
50dB Bandwidth	MHz	-	10.67	-
Passband Ripple	dB	-	0.55	1.00
Group Delay Variation	nsec	-	100	200
Absolute Delay	μsec	-	4.08	-
Ultimate Attenuation	dB	48	52	-
Substrate Material	-	128-LiNbO <sub>3</sub>		
Temperature Coefficient	ppm/°C	-72		

## Package Dimension



## Matching Configuration



L1=47nH, L2=180nH, C1=100pF  
 Source / Load Impedance = 50Ω  
 Ambient Temperature = 25°C

Rev0. 071130

