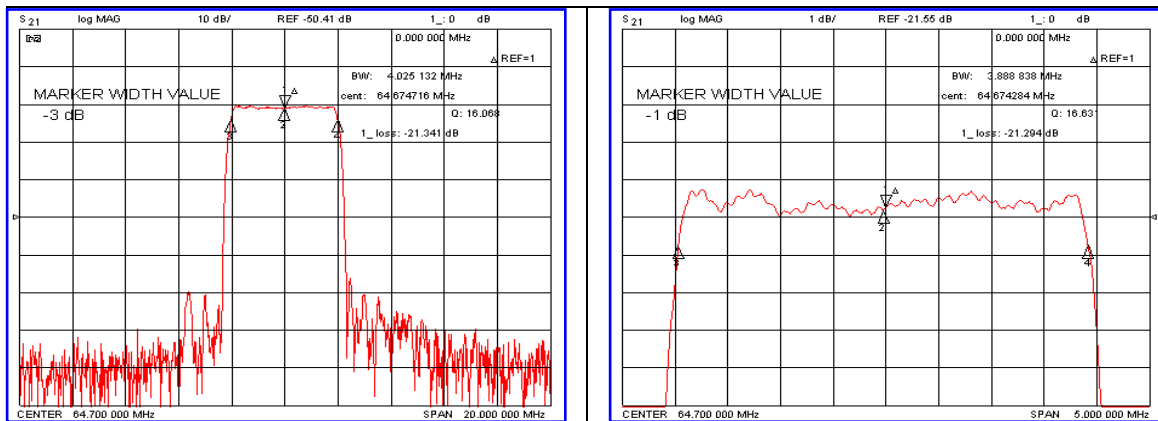


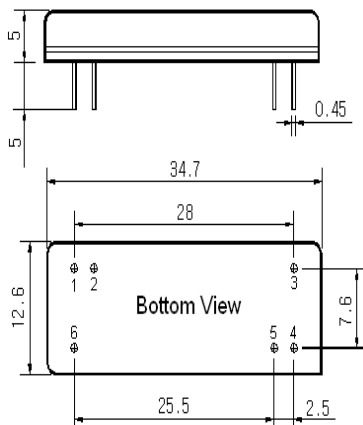
### Typical Performance



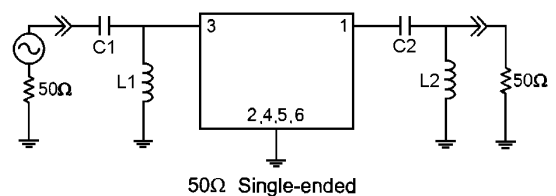
### Specification

Parameter	Unit	Min.	Typ.	Max.
Center Frequency	MHz	64.62	64.70	64.78
Insertion Loss	dB	-	21.50	24.00
1dB Bandwidth	MHz	3.70	3.88	-
3dB Bandwidth	MHz	-	4.02	-
20dB Bandwidth	MHz	-	4.46	4.55
40dB Bandwidth	MHz	-	4.63	-
Passband Ripple	dB	-	0.68	1.00
Group Delay Variation	nsec	-	200	300
Absolute Delay	μsec	-	4.45	-
Ultimate Attenuation	dB	-	45	-
Substrate Material	-	YZ-LiNbO <sub>3</sub>		
Temperature Coefficient	ppm/°C	-94		

### Package Dimension



### Matching Configuration



L1=L2=390nH, C1=C2=110pF  
 Source / Load Impedance = 50Ω  
 Ambient Temperature = 25°C

Rev0. 070731

