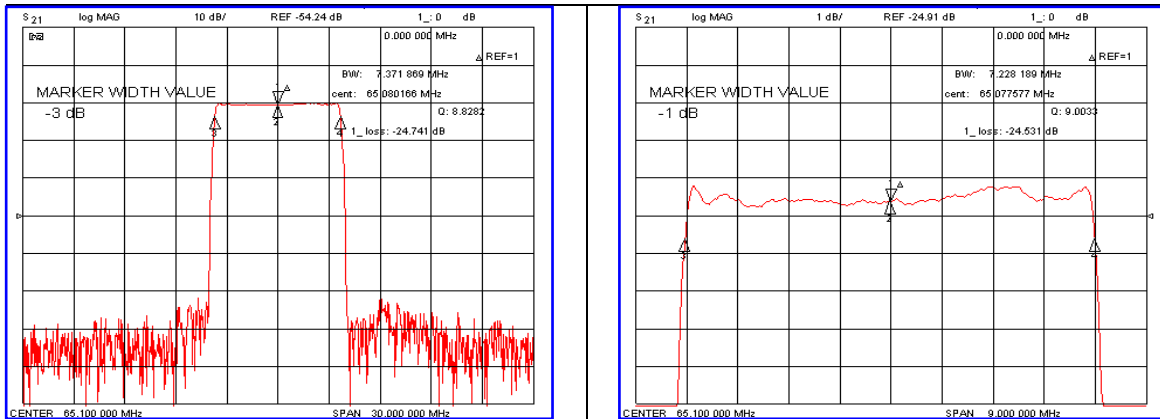


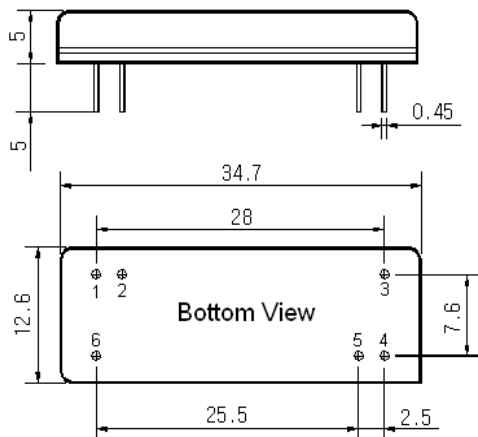
Typical Performance



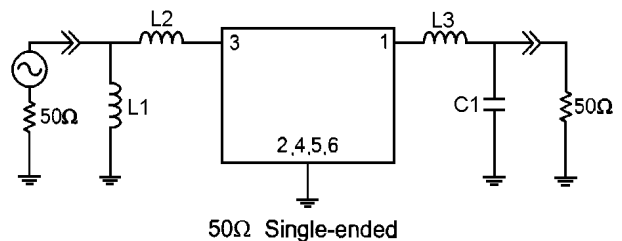
Specification

Parameter	Unit	Min.	Typ.	Max.
Center Frequency	MHz	65.02	65.10	65.18
Insertion Loss	dB	-	24.80	26.00
1dB Bandwidth	MHz	7.10	7.22	-
3dB Bandwidth	MHz	-	7.37	-
20dB Bandwidth	MHz	-	7.79	7.90
40dB Bandwidth	MHz	-	7.98	8.10
Passband Ripple	dB	-	0.60	1.00
Group Delay Variation	nsec	-	100	200
Absolute Delay	usec	-	4.34	-
Ultimate Attenuation	dB	48	52	-
Substrate Material	-	YZ-LiNbO ₃		
Temperature Coefficient	ppm/°C	-94		

Package Dimension



Matching Configuration



L1=270nH, L2=10nH, L3=33nH, C1=18pF
 Source / Load Impedance = 50Ω
 Ambient Temperature = 25°C

Rev.0 090518

