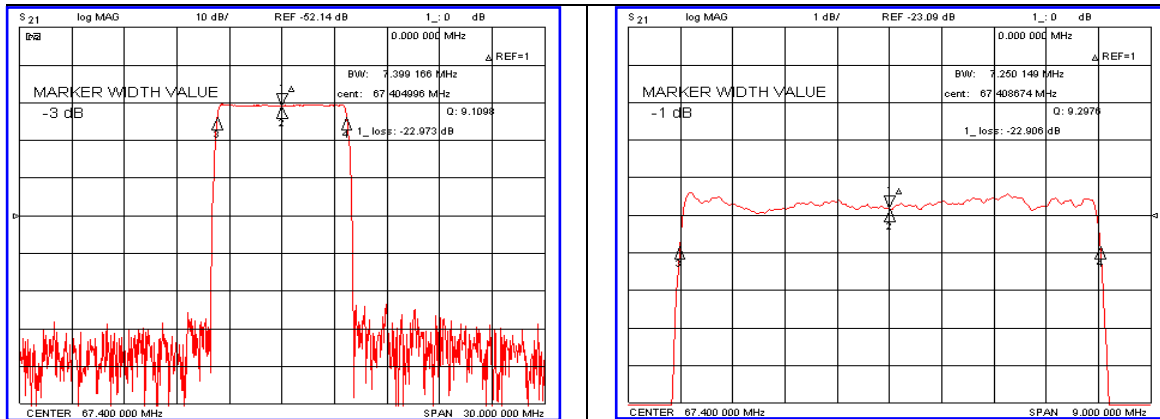


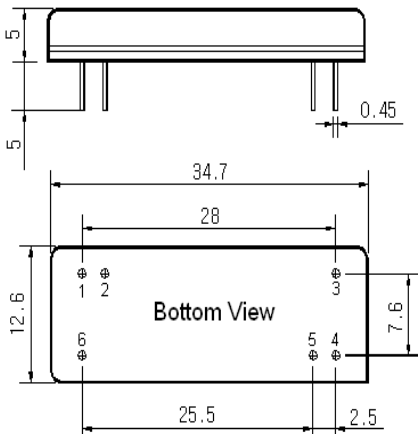
Typical Performance



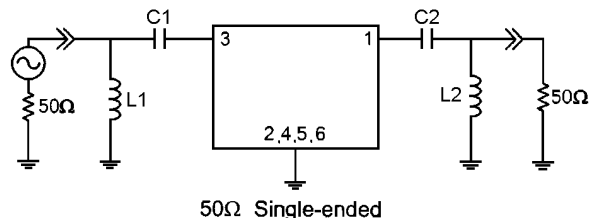
Specification

Parameter	Unit	Min.	Typ.	Max.
Center Frequency	MHz	67.32	67.40	67.48
Insertion Loss	dB	-	23.00	25.00
1dB Bandwidth	MHz	-	7.25	-
3dB Bandwidth	MHz	7.30	7.39	-
20dB Bandwidth	MHz	-	7.85	7.92
40dB Bandwidth	MHz	-	8.05	-
Passband Ripple	dB	-	0.60	1.00
Group Delay Variation	nsec	-	100	200
Absolute Delay	μsec	-	4.12	-
Ultimate Attenuation	dB	50	53	-
Substrate Material	-	YZ-LiNbO ₃		
Temperature Coefficient	ppm/°C	-94		

Package Dimension



Matching Configuration



L1=L2=180nH, C1=C2=300pF
 Source / Load Impedance = 50Ω
 Ambient Temperature = 25°C

Rev0. 071130

