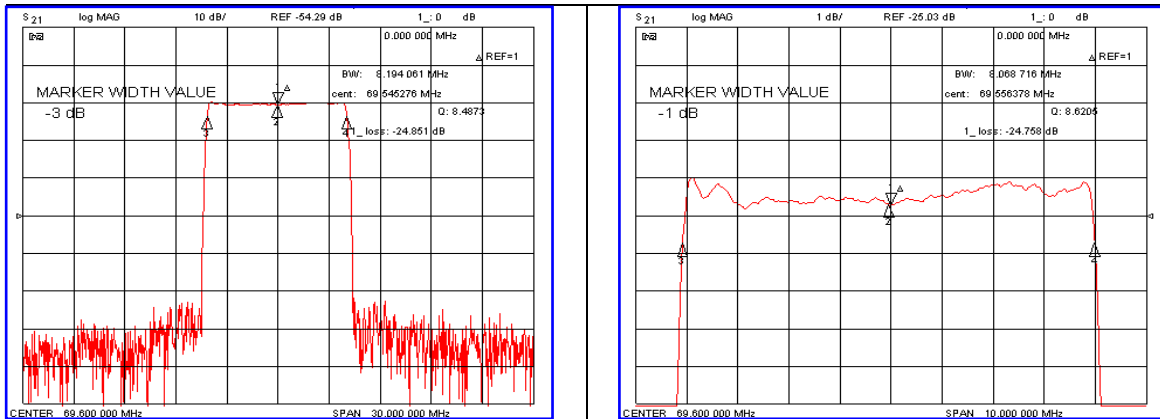


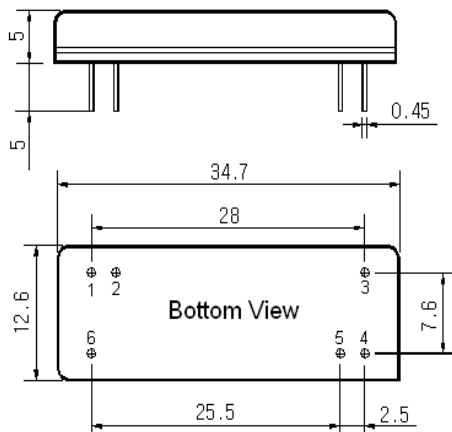
Typical Performance



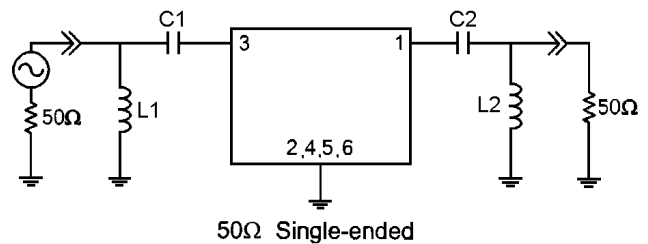
Specification

Parameter	Unit	Min.	Typ.	Max.
Center Frequency	MHz	69.52	69.60	69.68
Insertion Loss	dB	-	25.00	26.50
1dB Bandwidth	MHz	7.95	8.06	-
3dB Bandwidth	MHz	-	8.19	-
20dB Bandwidth	MHz	-	8.62	8.70
40dB Bandwidth	MHz	-	8.82	-
Passband Ripple	dB	-	0.75	1.00
Group Delay Variation	nsec	-	100	200
Absolute Delay	usec	-	4.19	-
Ultimate Attenuation	dB	48	52	-
Substrate Material	-	YZ-LiNbO ₃		
Temperature Coefficient	ppm/°C	-94		

Package Dimension



Matching Configuration



L1=150nH, L2=150nH, C1=180pF, C2=220pF
 Source / Load Impedance = 50Ω
 Ambient Temperature = 25°C

Rev.0 090417

