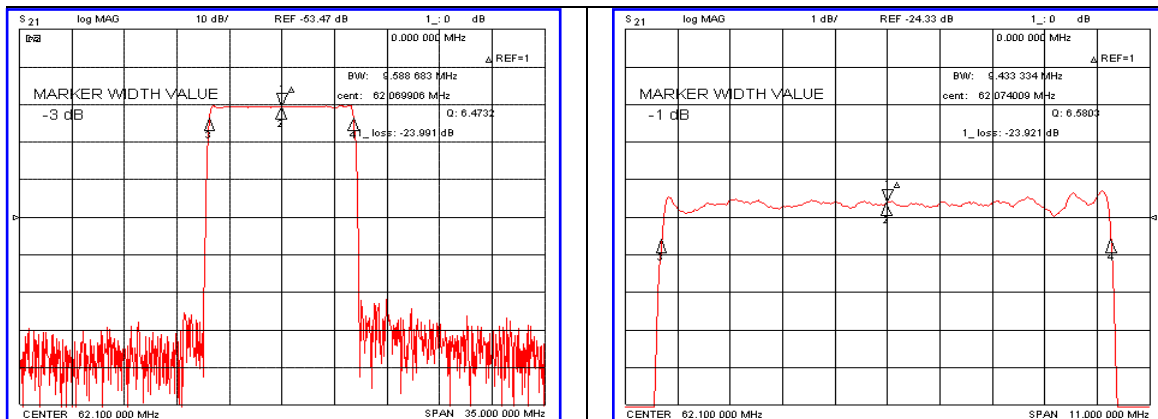


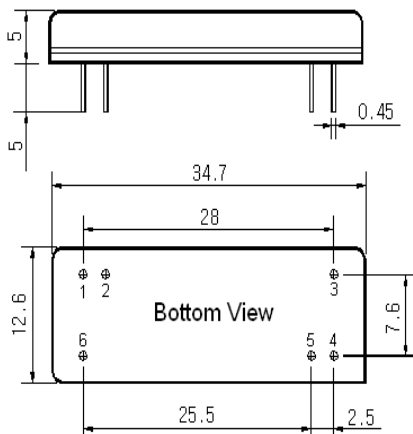
Typical Performance



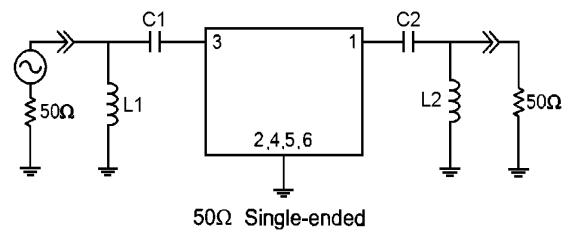
Specification

Parameter	Unit	Min.	Typ.	Max.
Center Frequency	MHz	62.02	62.10	62.18
Insertion Loss	dB	-	24.00	25.50
1dB Bandwidth	MHz	-	9.43	-
3dB Bandwidth	MHz	9.50	9.58	-
20dB Bandwidth	MHz	-	10.04	-
40dB Bandwidth	MHz	-	10.24	10.35
Passband Ripple	dB	-	0.67	1.00
Group Delay Variation	nsec	-	100	150
Absolute Delay	μsec	-	4.08	-
Ultimate Attenuation	dB	50	53	-
Substrate Material	-	128-LiNbO ₃		
Temperature Coefficient	ppm/°C ²	-72		

Package Dimension



Matching Configuration



L1=L2=270nH, C1=C2=200pF
 Source / Load Impedance = 50Ω
 Ambient Temperature = 25°C

Rev0. 071005

