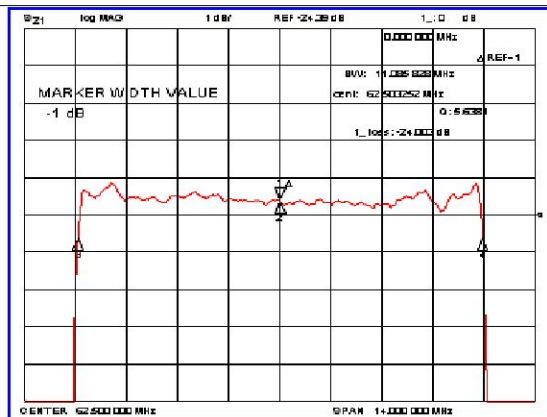
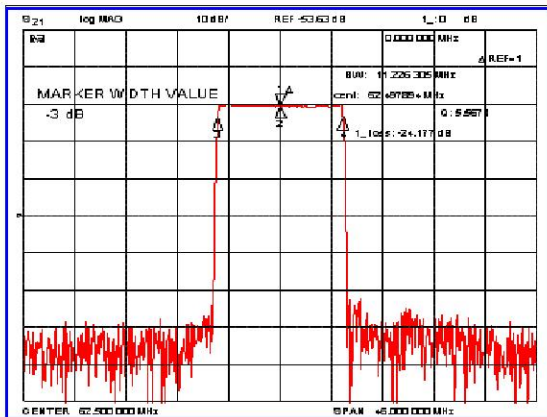


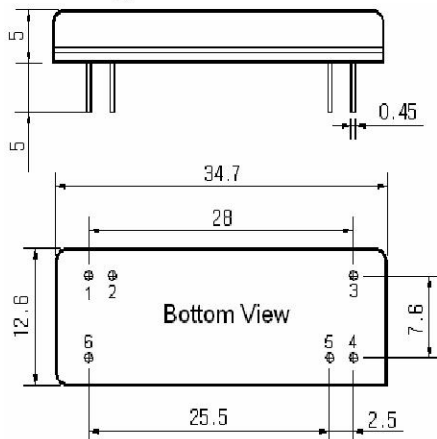
Typical Performance



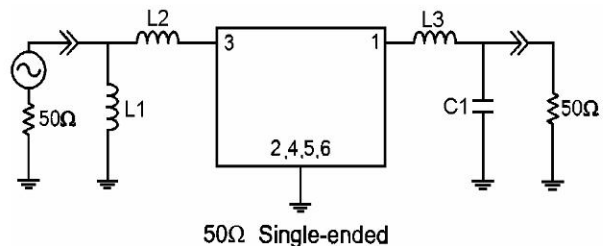
Specification

Parameter	Unit	Min.	Typ.	Max.
Center Frequency	MHz	62.42	62.50	62.58
Insertion Loss	dB	-	24.20	26.00
1dB Bandwidth	MHz	11.03	11.08	-
3dB Bandwidth	MHz	-	11.22	-
20dB Bandwidth	MHz	-	11.65	11.70
40dB Bandwidth	MHz	-	11.85	-
Passband Ripple	dB	-	0.80	1.00
Group Delay Variation	nsec	-	100	150
Absolute Delay	µsec	-	4.07	-
Ultimate Attenuation	dB	50	53	-
Substrate Material	-	128-LiNbO ₃		
Temperature Coefficient	ppm/°C	-72		

Package Dimension



Matching Configuration



L1=27nH, L2=56nH, L3=56nH, C1=20pF
 Source / Load Impedance = 50Ω
 Ambient Temperature = 25°C

Rev0. 080502

