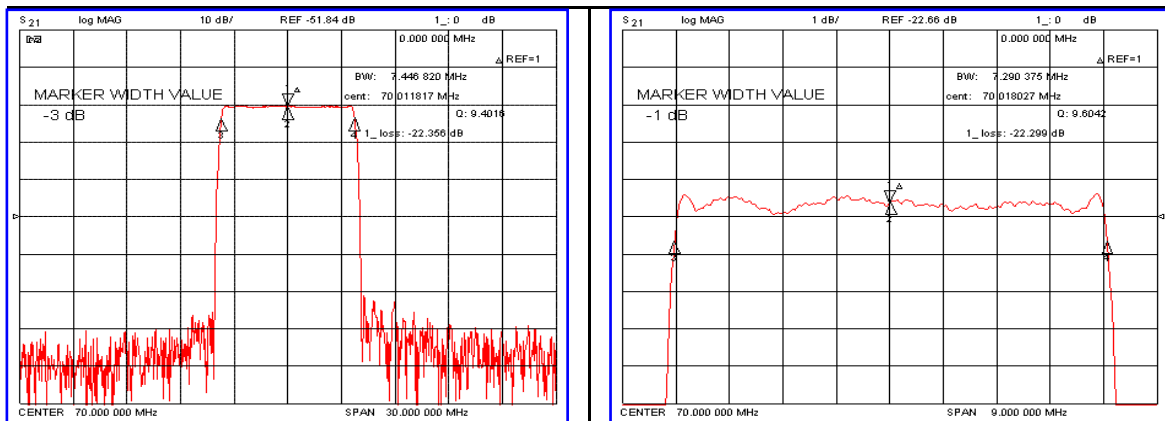


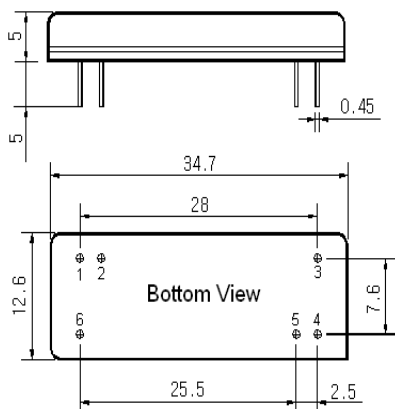
### Typical Performance



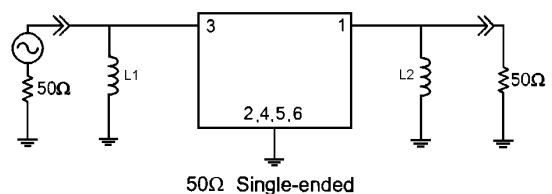
### Specification

Parameter	Unit	Min.	Typ.	Max.
Center Frequency (Fc)	MHz	69.92	70.00	70.08
Insertion Loss	dB	-	22.50	25.00
1dB Bandwidth	MHz	-	7.29	-
3dB Bandwidth	MHz	7.30	7.44	-
20dB Bandwidth	MHz	-	7.90	-
40dB Bandwidth	MHz	-	8.11	8.20
Passband Ripple	dB	-	0.65	1.00
Group Delay Variation	nsec	-	110	200
Absolute Delay	μsec	-	4.18	-
Ultimate Attenuation	dB	50	53	-
Substrate Material	-	Yz-LiNbO <sub>3</sub>		
Temperature Coefficient	ppm/°C	-94		

### Package Dimension



### Matching Configuration



L1= 390nH, L2=270nH  
 Source / Load Impedance = 50Ω  
 Ambient Temperature = 25°C

Rev0.070313

