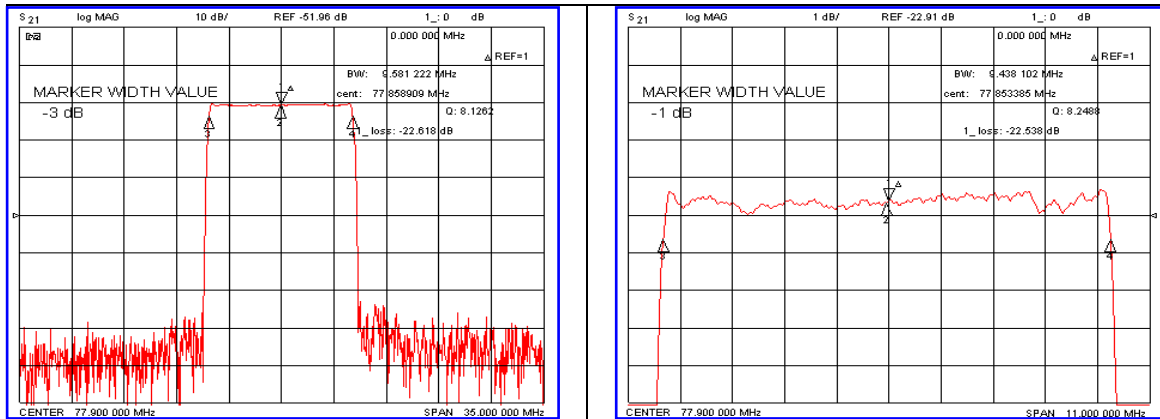


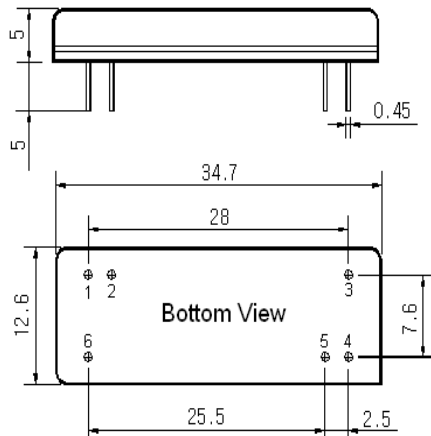
Typical Performance



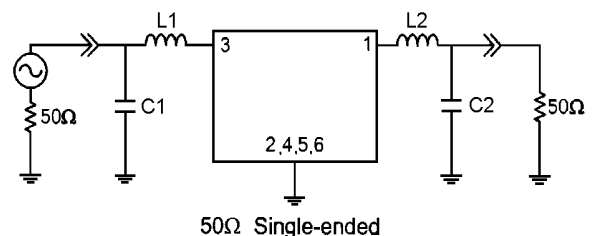
Specification

Parameter	Unit	Min.	Typ.	Max.
Center Frequency	MHz	77.82	77.90	77.98
Insertion Loss	dB	-	22.61	25.00
1dB Bandwidth	MHz	-	9.43	-
3dB Bandwidth	MHz	9.50	9.58	-
20dB Bandwidth	MHz	-	10.02	-
40dB Bandwidth	MHz	-	10.22	10.35
Passband Ripple	dB	-	0.65	1.00
Group Delay Variation	nsec	-	130	200
Absolute Delay	μsec	-	4.05	-
Ultimate Attenuation	dB	50	53	-
Substrate Material	-	128-LiNbO ₃		
Temperature Coefficient	ppm/°C	-72		

Package Dimension



Matching Configuration



L1=82nH, L2=8.2nH, C1=47pF, C2=14pF
 Source / Load Impedance = 50Ω
 Ambient Temperature = 25°C

Rev0. 071005

