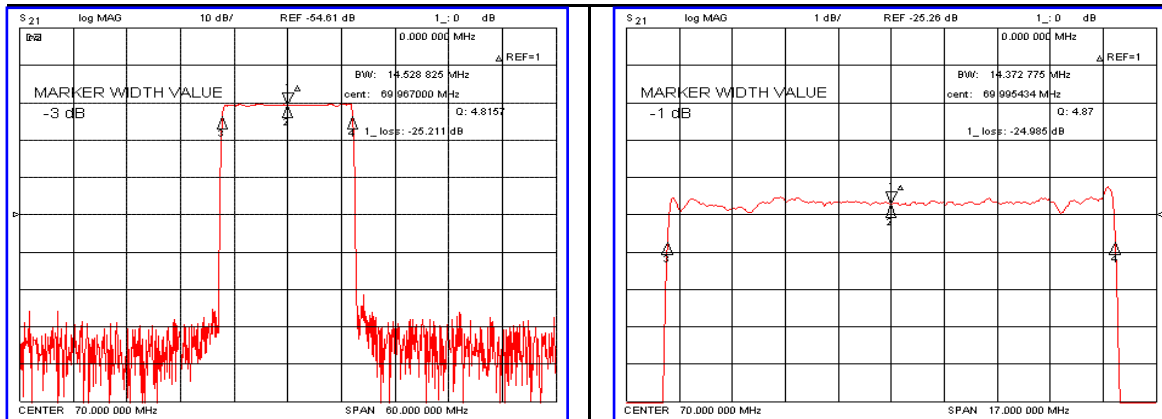


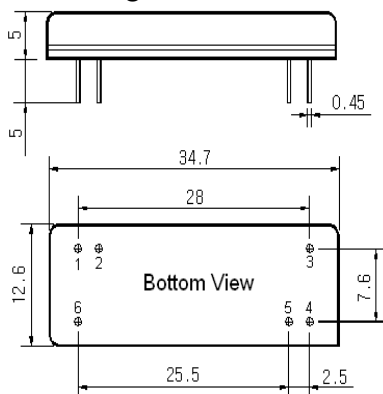
Typical Performance



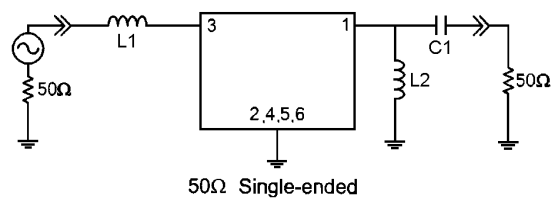
Specification

Parameter	Unit	Min.	Typ.	Max.
Center Frequency	MHz	69.92	70.00	70.08
Insertion Loss	dB	-	25.50	27.00
1dB Bandwidth	MHz	-	14.37	-
3dB Bandwidth	MHz	14.40	14.52	-
30dB Bandwidth	MHz	-	15.22	15.40
Passband Ripple	dB	-	0.70	1.00
Absolute Delay	μsec	-	3.70	-
Ultimate Attenuation				
Fc±7.70MHz	dB	30	40	-
Fc±8.50MHz	dB	50	55	-
Fc±12.50MHz	dB	50	55	-
Substrate Material	-	128-LiNbO ₃		
Temperature Coefficient	ppm/°C	-72		

Package Dimension



Matching Configuration



L1= 47nH, L2=120nH, C1=150pF
 Source / Load Impedance = 50Ω
 Ambient Temperature = 25°C

Rev0. 070505

