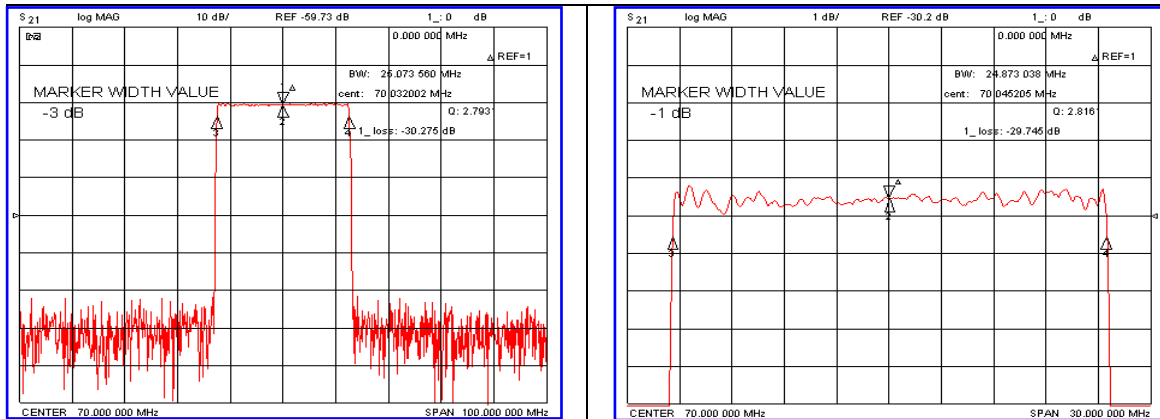


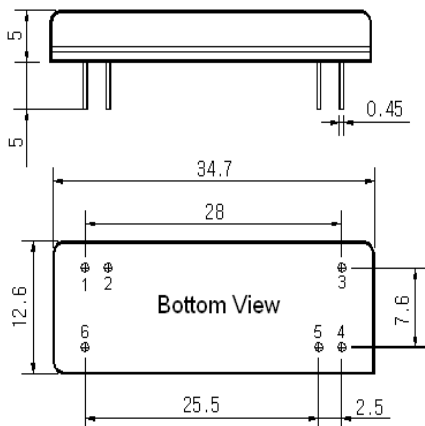
Typical Performance



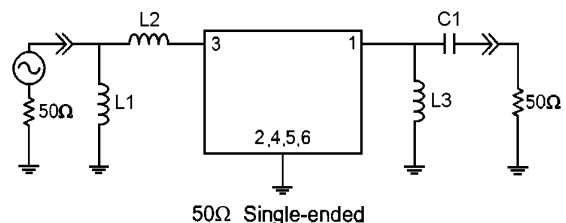
Specification

Parameter	Unit	Min.	Typ.	Max.
Center Frequency	MHz	69.92	70.00	70.08
Insertion Loss	dB	-	30.27	32.00
1dB Bandwidth	MHz	-	24.87	-
3dB Bandwidth	MHz	25.00	25.07	-
20dB Bandwidth	MHz	-	25.72	25.80
40dB Bandwidth	MHz	-	26.04	-
Passband Ripple	dB	-	0.80	1.00
Group Delay Variation	nsec	-	50	100
Absolute Delay	μsec	-	3.17	-
Ultimate Attenuation	dB	50	52	-
Substrate Material	-	128-LiNbO ₃		
Temperature Coefficient	ppm/°C	-72		

Package Dimension



Matching Configuration



L1=390nH, L2=L3=120nH, C1=300pF
 Source / Load Impedance = 50Ω
 Ambient Temperature = 25°C

Rev0. 071130

