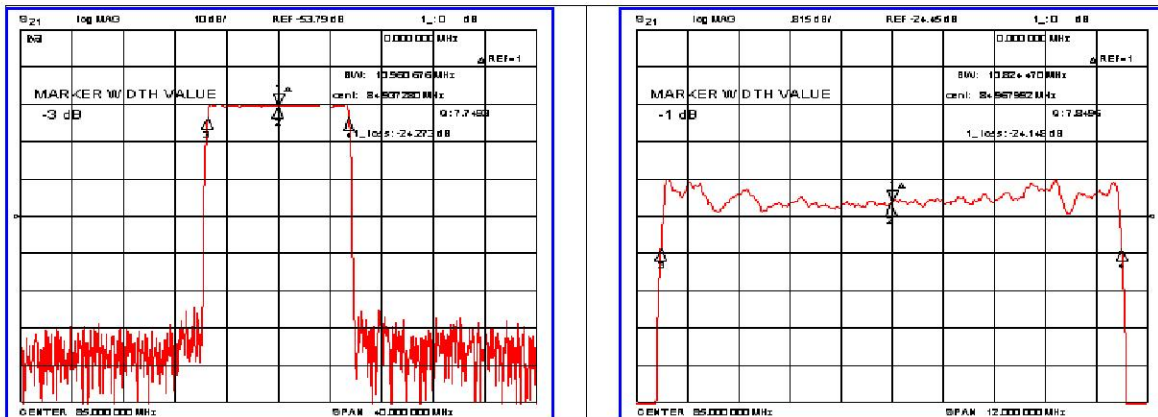


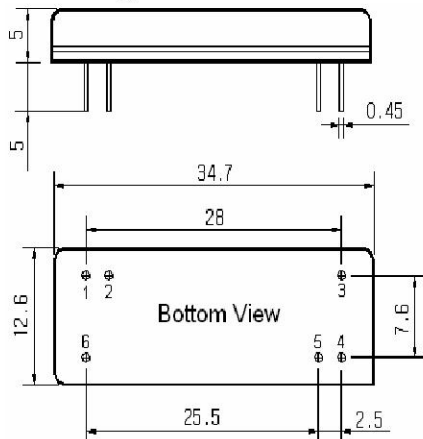
Typical Performance



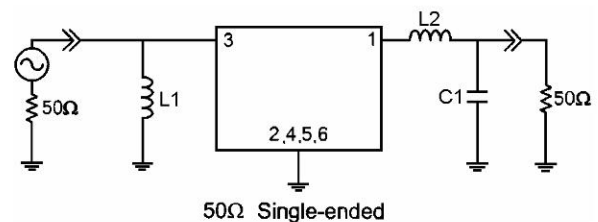
Specification

Parameter	Unit	Min.	Typ.	Max.
Center Frequency	MHz	84.92	85.00	85.08
Insertion Loss	dB	-	24.30	26.00
1dB Bandwidth	MHz	10.75	10.82	-
3dB Bandwidth	MHz	-	10.96	-
20dB Bandwidth	MHz	-	11.39	11.45
40dB Bandwidth	MHz	-	11.59	-
Passband Ripple	dB	-	0.80	1.20
Group Delay Variation	nsec	-	100	200
Absolute Delay	µsec	-	4.05	-
Ultimate Attenuation	dB	50	54	-
Substrate Material	-	128-LiNbO ₃		
Temperature Coefficient	ppm/°C	-72		

Package Dimension



Matching Configuration



L1=390nH, L2=33nH, C1=36pF
 Source / Load Impedance = 50Ω
 Ambient Temperature = 25°C

Rev0. 080428

