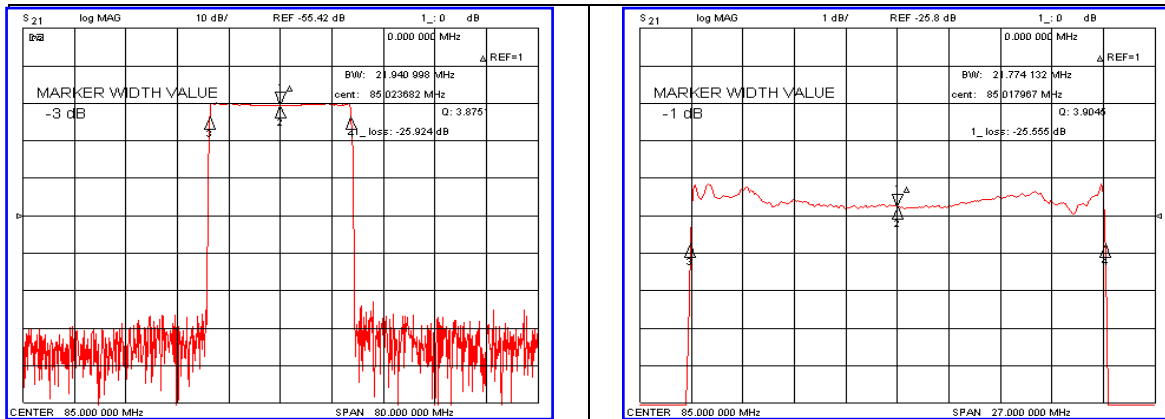


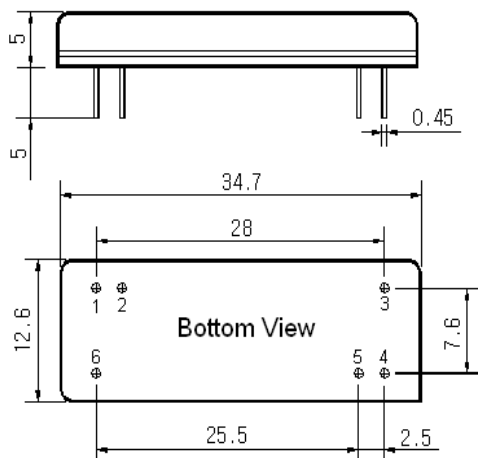
### Typical Performance



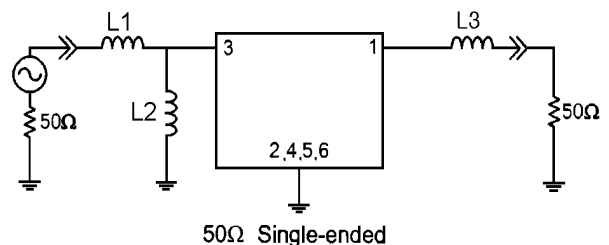
### Specification

Parameter	Unit	Min.	Typ.	Max.
Center Frequency	MHz	84.92	85.00	85.08
Insertion Loss	dB	-	26.00	28.00
1dB Bandwidth	MHz	21.70	21.77	-
20dB Bandwidth	MHz	-	22.50	22.60
40dB Bandwidth	MHz	-	22.75	-
Passband Ripple	dB	-	0.80	1.00
Group Delay Variation	nsec	-	50	100
Absolute Delay	usec	-	3.62	-
Ultimate Attenuation	dB	48	52	-
Substrate Material	-	128- LiNbO <sub>3</sub>		
Temperature Coefficient	ppm/°C	-72		

### Package Dimension



### Matching Configuration



L1=82nH, L2=180nH, L3=47nH  
 Source / Load Impedance = 50Ω  
 Ambient Temperature = 25°C

Rev.0 091124

