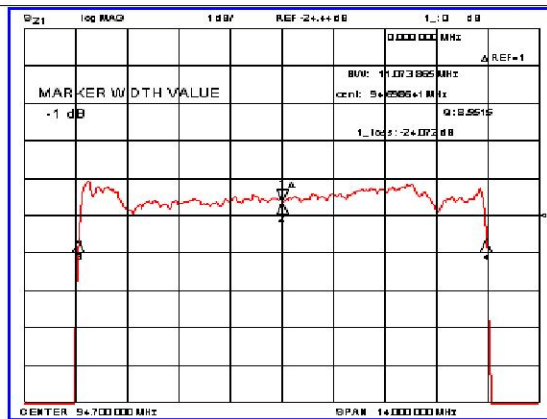
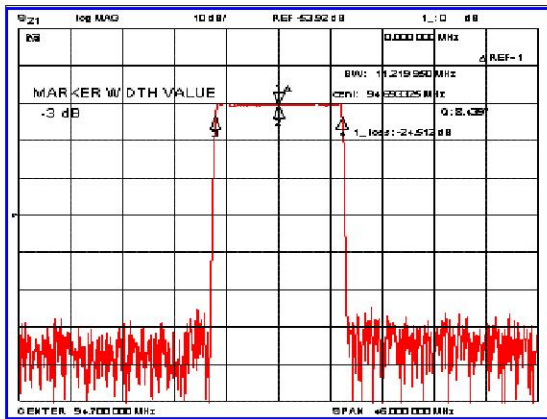


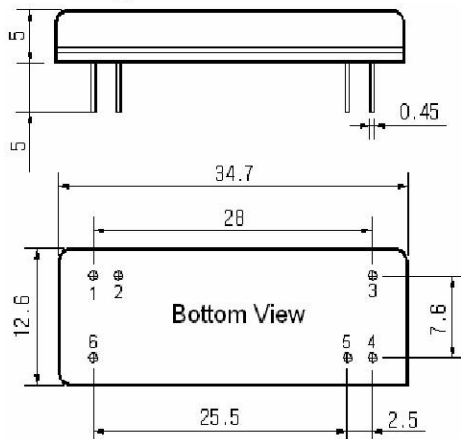
### Typical Performance



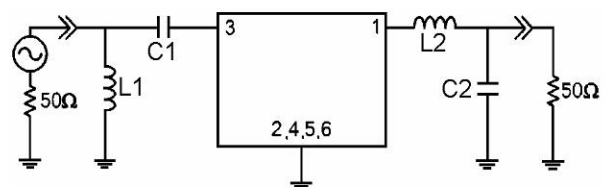
### Specification

| Parameter               | Unit   | Min.                   | Typ.  | Max.  |
|-------------------------|--------|------------------------|-------|-------|
| Center Frequency        | MHz    | 94.62                  | 94.70 | 94.78 |
| Insertion Loss          | dB     | -                      | 24.51 | 26.00 |
| 1dB Bandwidth           | MHz    | 11.03                  | 11.07 | -     |
| 3dB Bandwidth           | MHz    | -                      | 11.21 | -     |
| 20dB Bandwidth          | MHz    | -                      | 11.65 | 11.70 |
| 40dB Bandwidth          | MHz    | -                      | 11.85 | -     |
| Passband Ripple         | dB     | -                      | 0.85  | 1.00  |
| Group Delay Variation   | nsec   | -                      | 80    | 120   |
| Absolute Delay          | µsec   | -                      | 4.07  | -     |
| Ultimate Attenuation    | dB     | 50                     | 55    | -     |
| Substrate Material      | -      | 128-LiNbO <sub>3</sub> |       |       |
| Temperature Coefficient | ppm/°C | -72                    |       |       |

### Package Dimension



### Matching Configuration



50Ω Single-ended

L1=100, L2=18nH, C1=120pF, C2=22pF  
 Source / Load Impedance = 50Ω  
 Ambient Temperature = 25°C

Rev0. 080502

