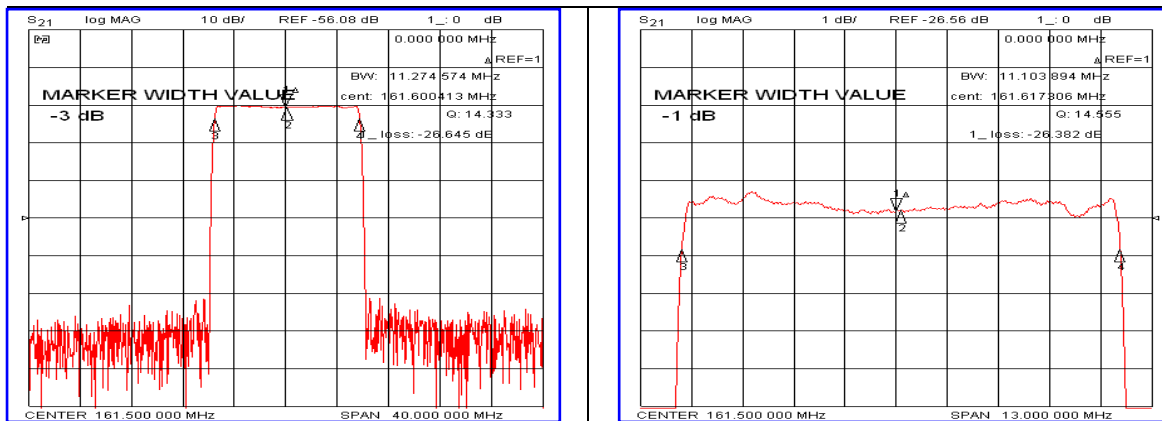


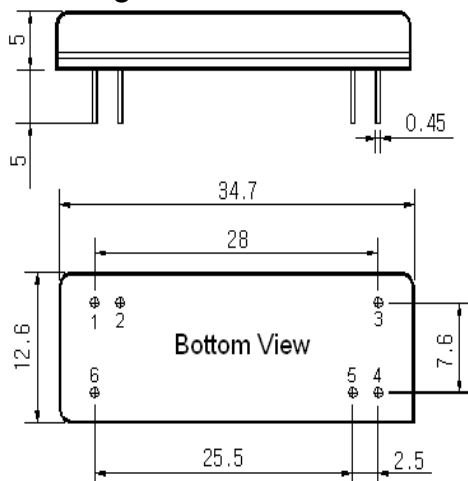
Typical Performance



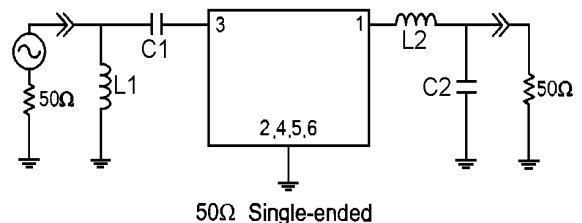
Specification

Parameter	Unit	Min.	Typ.	Max.
Center Frequency	MHz	-	161.50	-
Insertion Loss	dB	-	26.80	28.50
1dB Bandwidth	MHz	-	11.10	-
3dB Bandwidth	MHz	11.10	11.27	-
30dB Bandwidth	MHz	-	11.95	12.05
Passband Ripple	dB	-	0.80	1.20
Group Delay Variation	nsec	-	100	200
Absolute Delay	usec	-	4.73	-
Ultimate Attenuation	dB	47	51	-
Substrate Material	-	112-LiTaO ₃		
Temperature Coefficient	ppm/°C	-20		

Package Dimension



Matching Configuration



L1=12nH, L2=33nH, C1=160pF, C2=36pF
 Source / Load Impedance = 50Ω
 Ambient Temperature = 25°C

Rev.0 100705

