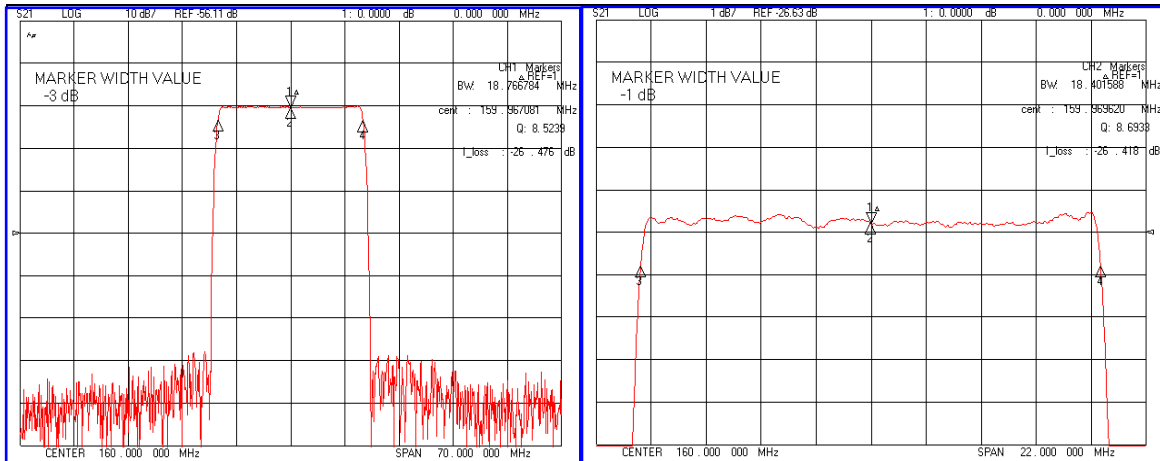


### Typical Performance

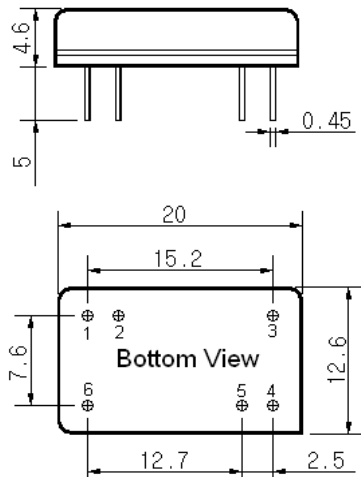


### Specification

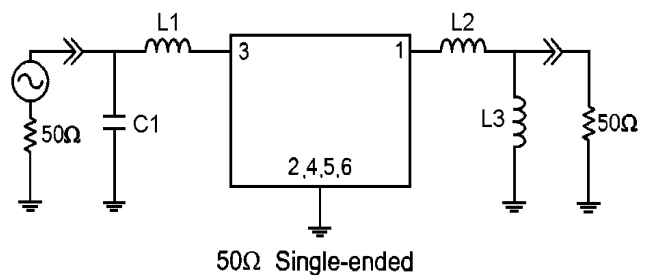
Parameter	Unit	Min.	Typ.	Max.
Center Frequency	MHz	-	160.00	-
Insertion Loss	dB	-	26.50	28.50
1dB Bandwidth	MHz	18.25	18.40	-
3dB Bandwidth	MHz	-	18.76	-
45dB Bandwidth	MHz	-	20.40	20.60
Passband Ripple( $F_c \pm 9.0075\text{MHz}$ )	dB	-	0.40	1.20
Group Delay Variation( $F_c \pm 9.0075\text{MHz}$ )	nsec	-	28	50
Absolute Delay	$\mu\text{sec}$	-	2.35	-
Ultimate Attenuation	dB	50	55	-
Temperature Coefficient	ppm/ $^{\circ}\text{C}$	-	-18	-

(1).계측기 설정 : Input Power : +10dBm

### Package Dimension



### Matching Configuration



L1=47nH, L2=15nH, L3=22nH, C2=43pF  
 Source / Load Impedance = 50Ω  
 Ambient Temperature = 25°C

Rev0. 131011

