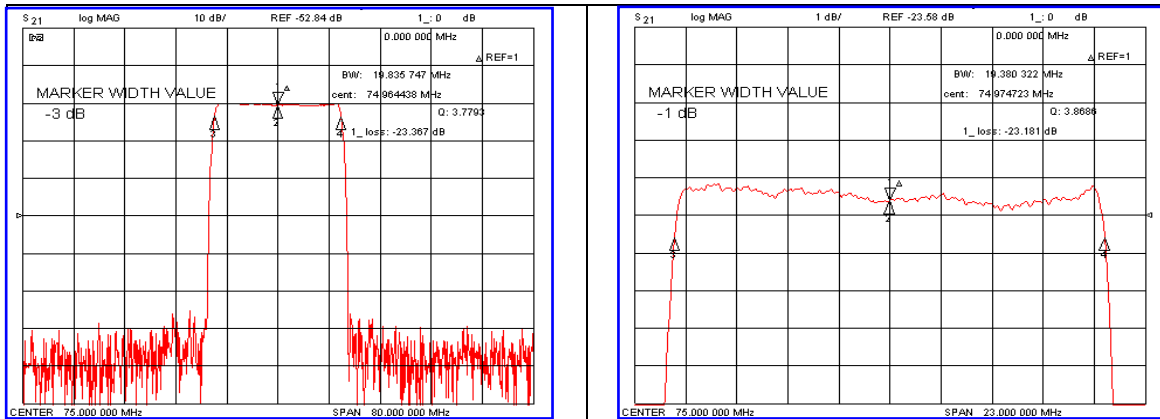


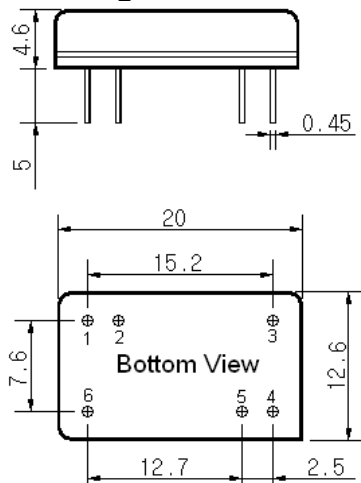
Typical Performance



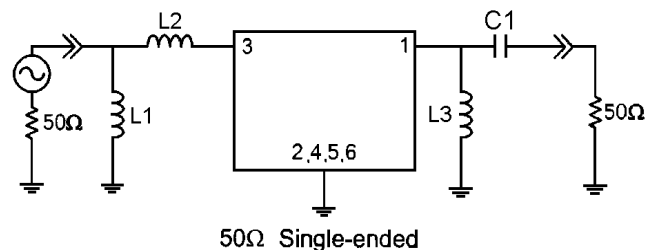
Specification

Parameter	Unit	Min.	Typ.	Max.
Center Frequency	MHz	74.92	75.00	75.08
Insertion Loss	dB	-	23.50	25.00
1dB Bandwidth	MHz	-	19.38	-
3dB Bandwidth	MHz	19.70	19.83	-
40dB Bandwidth	MHz	-	21.82	22.00
Passband Ripple	dB	-	0.75	1.00
Group Delay Variation	nsec	-	40	60
Absolute Delay	µsec	-	1.87	-
Ultimate Attenuation	dB	50	55	-
Substrate Material	-	128- LiNbO ₃		
Temperature Coefficient	ppm/°C	-72		

Package Dimension



Matching Configuration



L1=100nH, L2=100nH, L3=220nH, C1=43pF
 Source / Load Impedance = 50Ω
 Ambient Temperature = 25°C

Rev0. 090810

