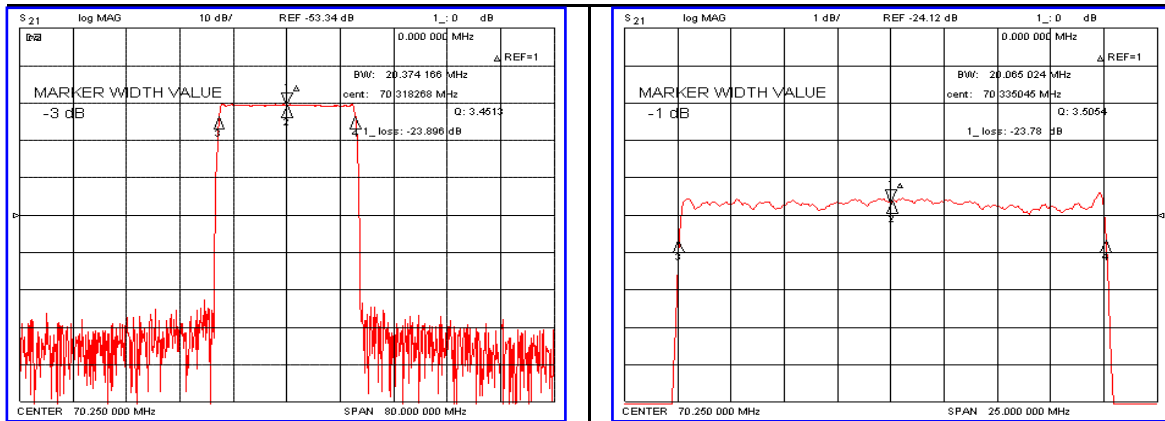


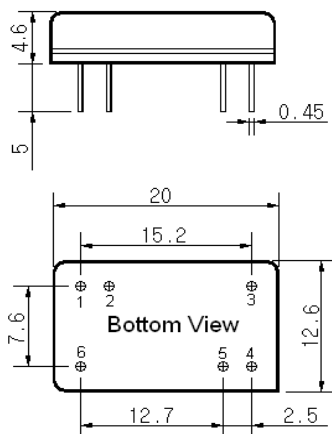
Typical Performance



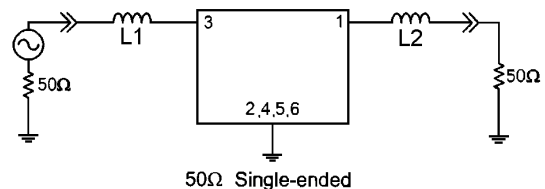
Specification

Parameter	Unit	Min.	Typ.	Max.
Center Frequency (Fc)	MHz	70.17	70.25	70.33
Insertion Loss	dB	-	24.00	25.50
1dB Bandwidth	MHz	-	20.07	-
3dB Bandwidth	MHz	20.20	20.37	-
40dB Bandwidth	MHz	-	21.75	21.90
Passband Ripple)	dB	-	0.60	1.00
Group Delay Variation	nsec	-	50	100
Absolute Delay	μsec	-	2.24	-
Ultimate Attenuation	dB	50	55	-
Substrate Material	-	128-LiNbO ₃		
Temperature Coefficient	ppm/°C	-72		

Package Dimension



Matching Configuration



L1=170nH, L2=150nH
 Source / Load Impedance = 50Ω
 Ambient Temperature = 25°C

11/10/2006

